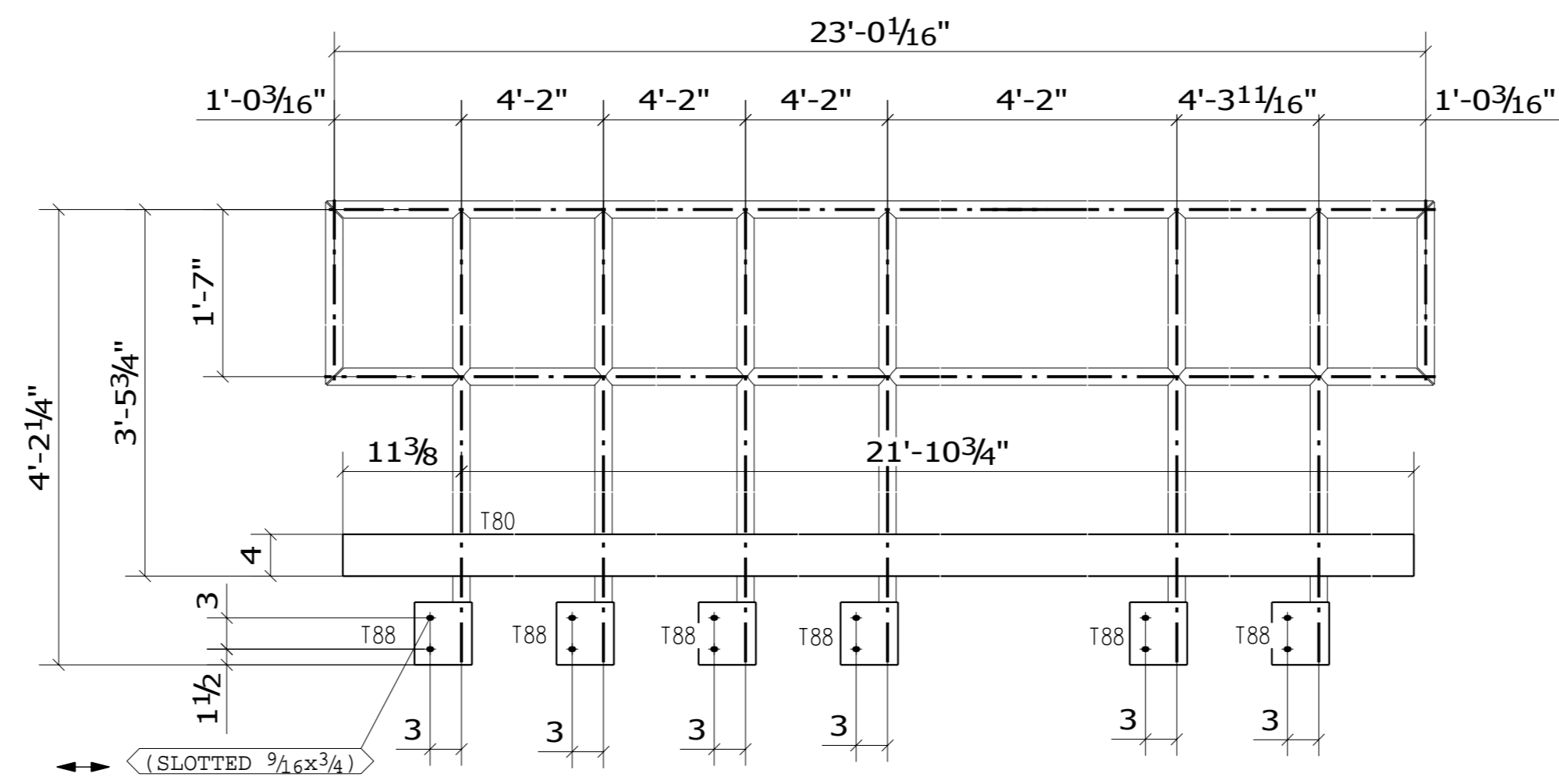
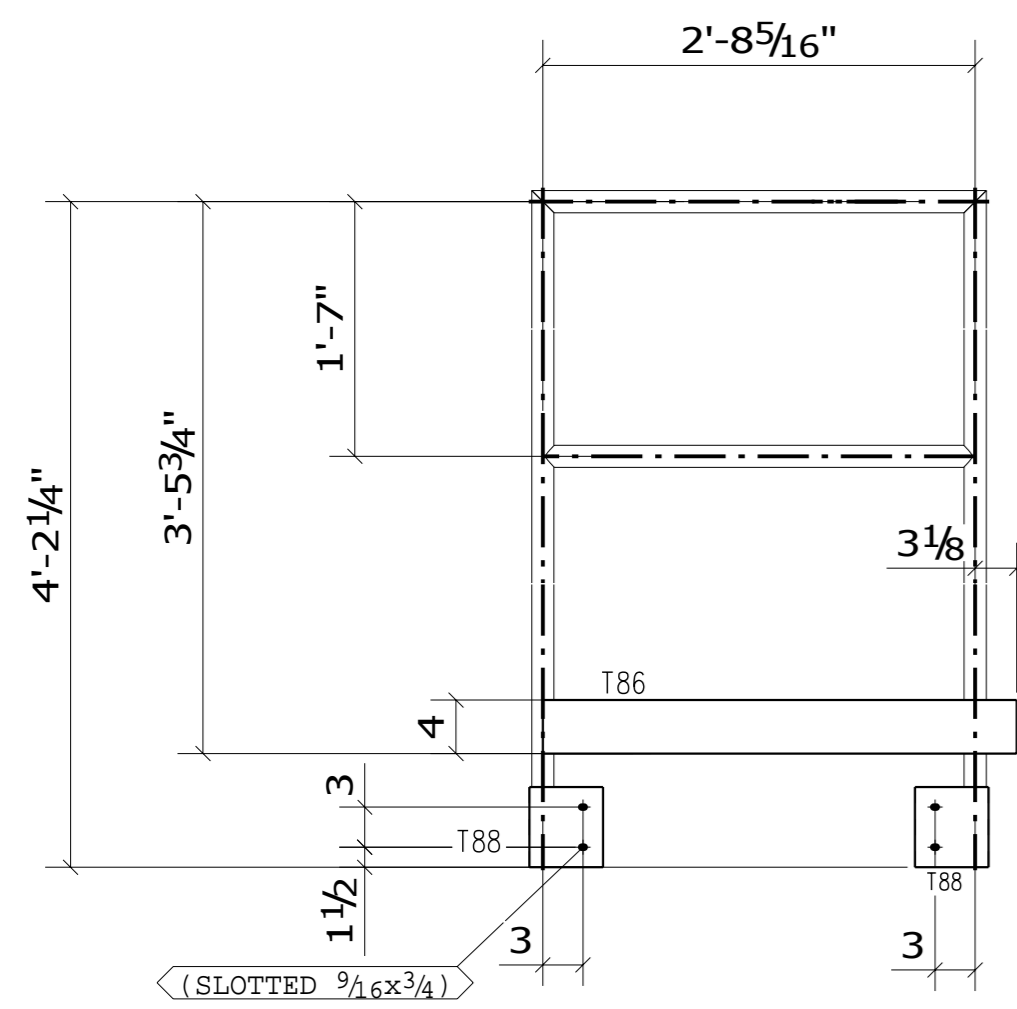


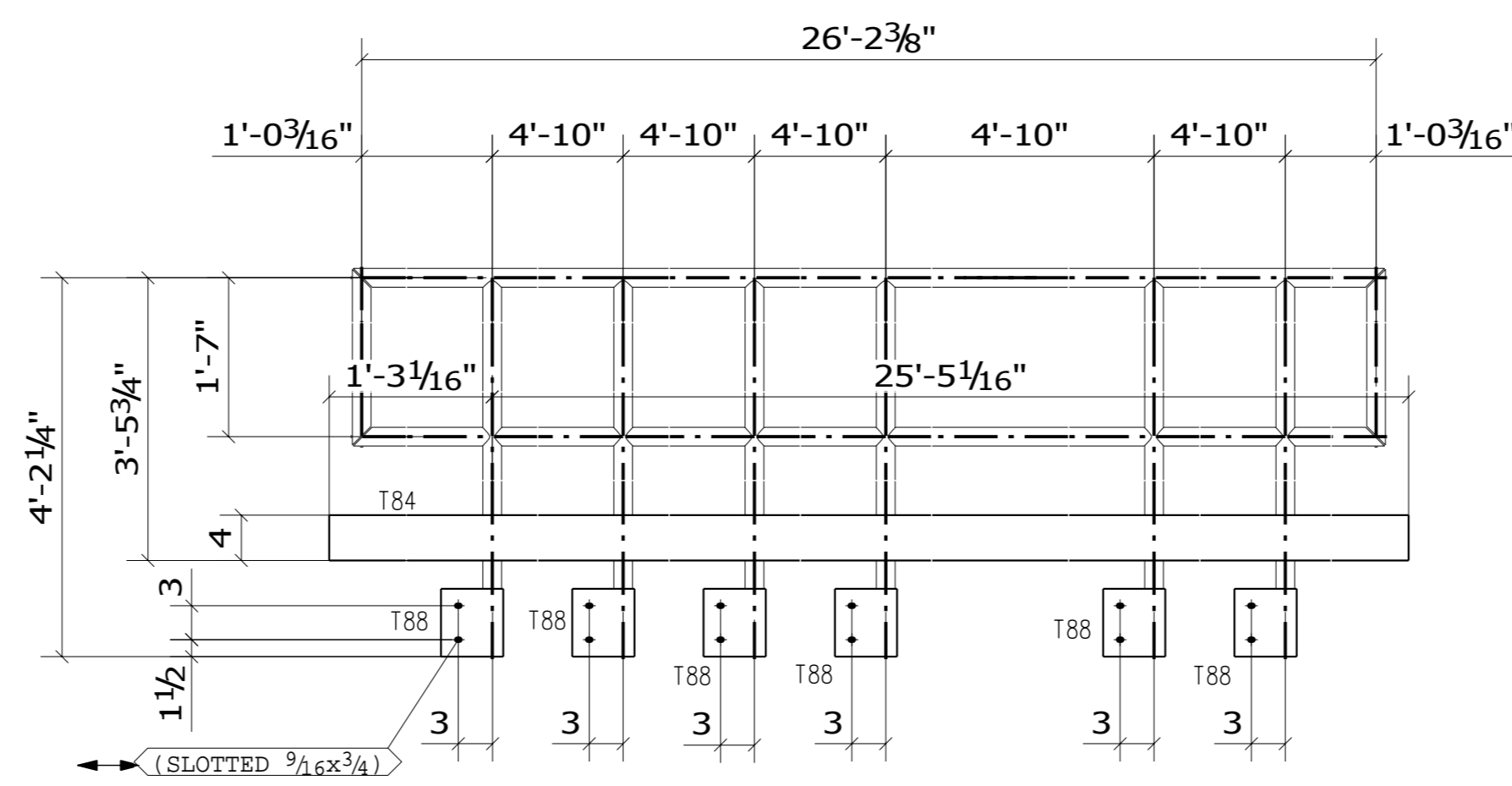
1 RAILING(s) MARK: 18R1  
 >>> PER SPEC'S <<<



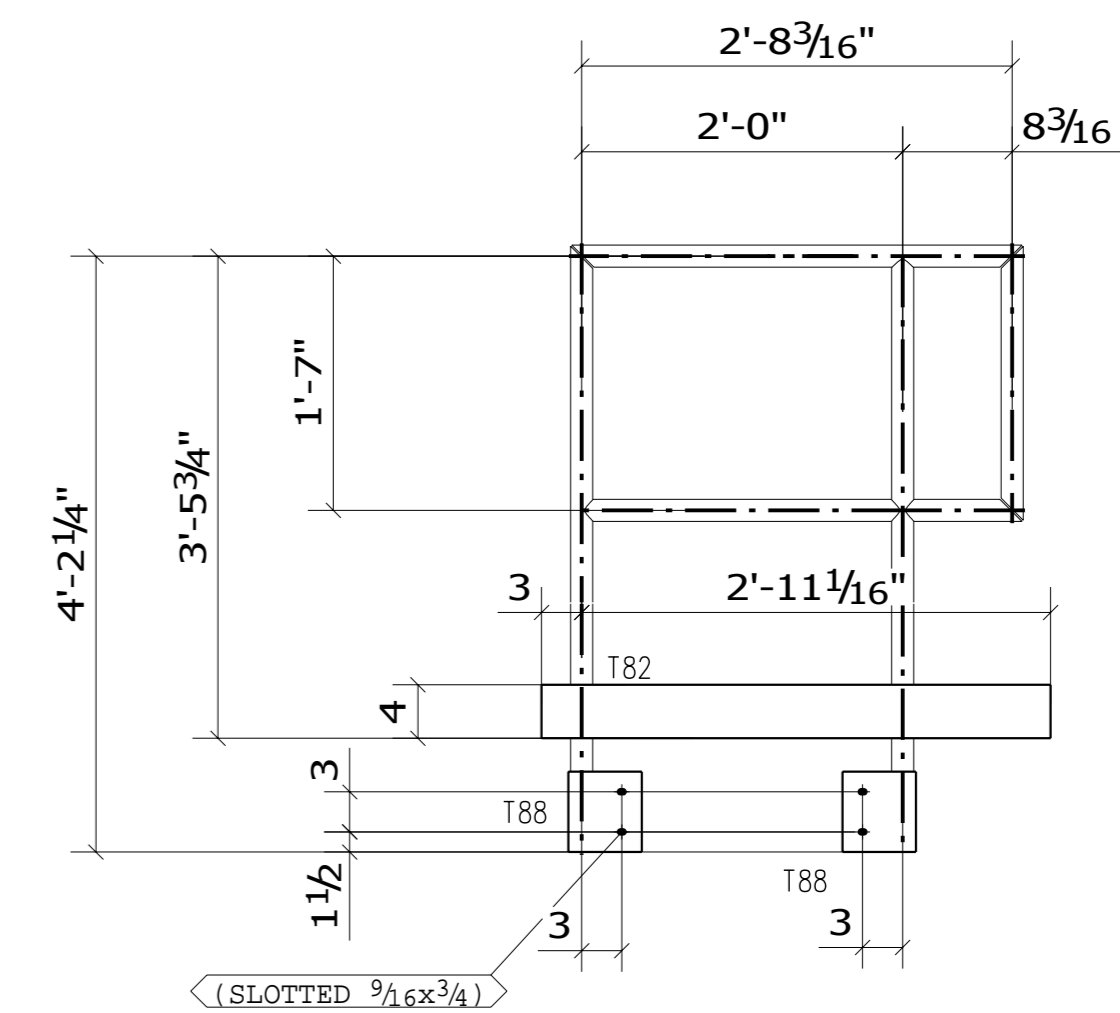
1 RAILING(s) MARK: 18R4  
 >>> PER SPEC'S <<<



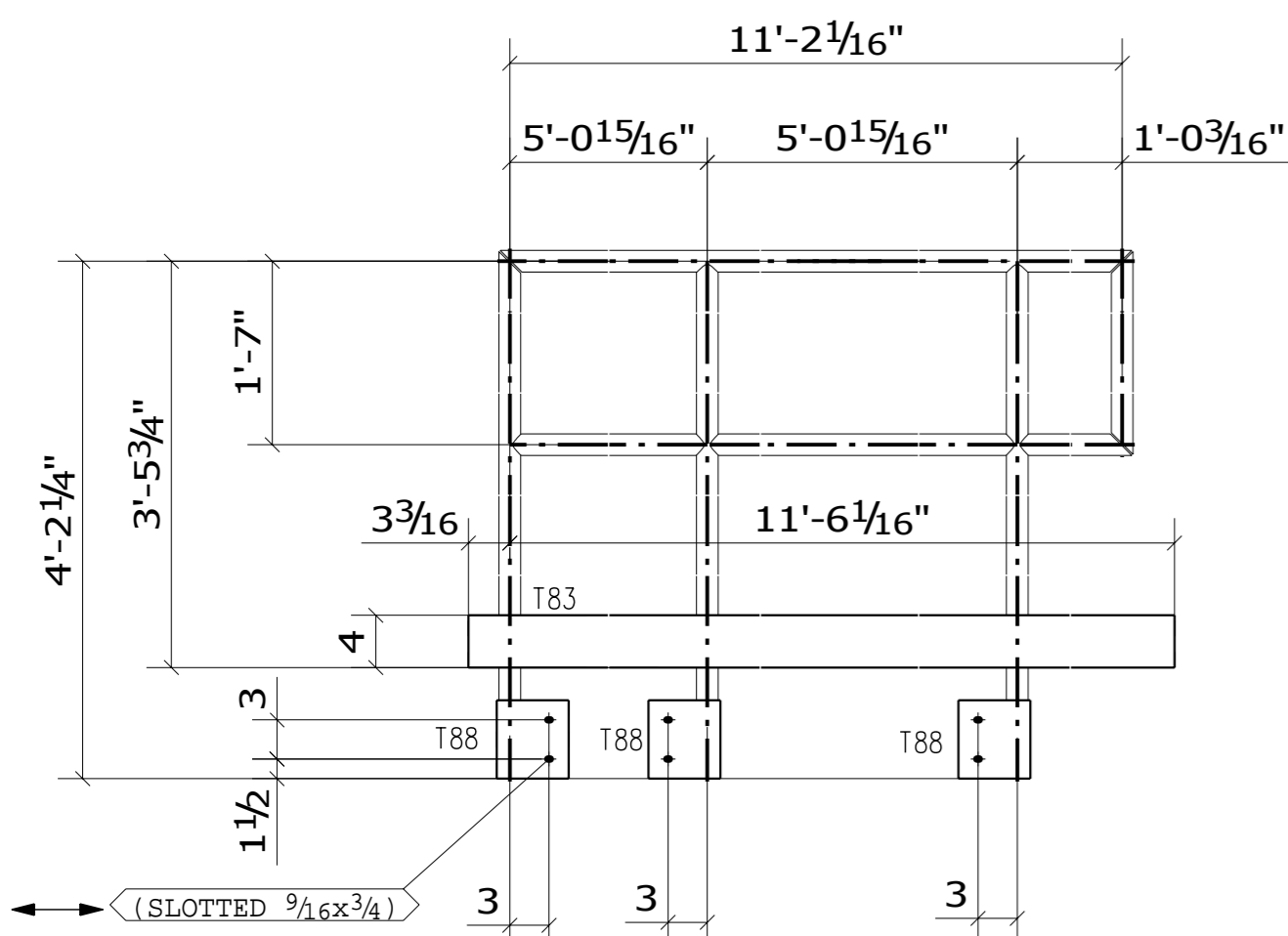
1 RAILING(s) MARK: 18R2  
 >>> PER SPEC'S <<<



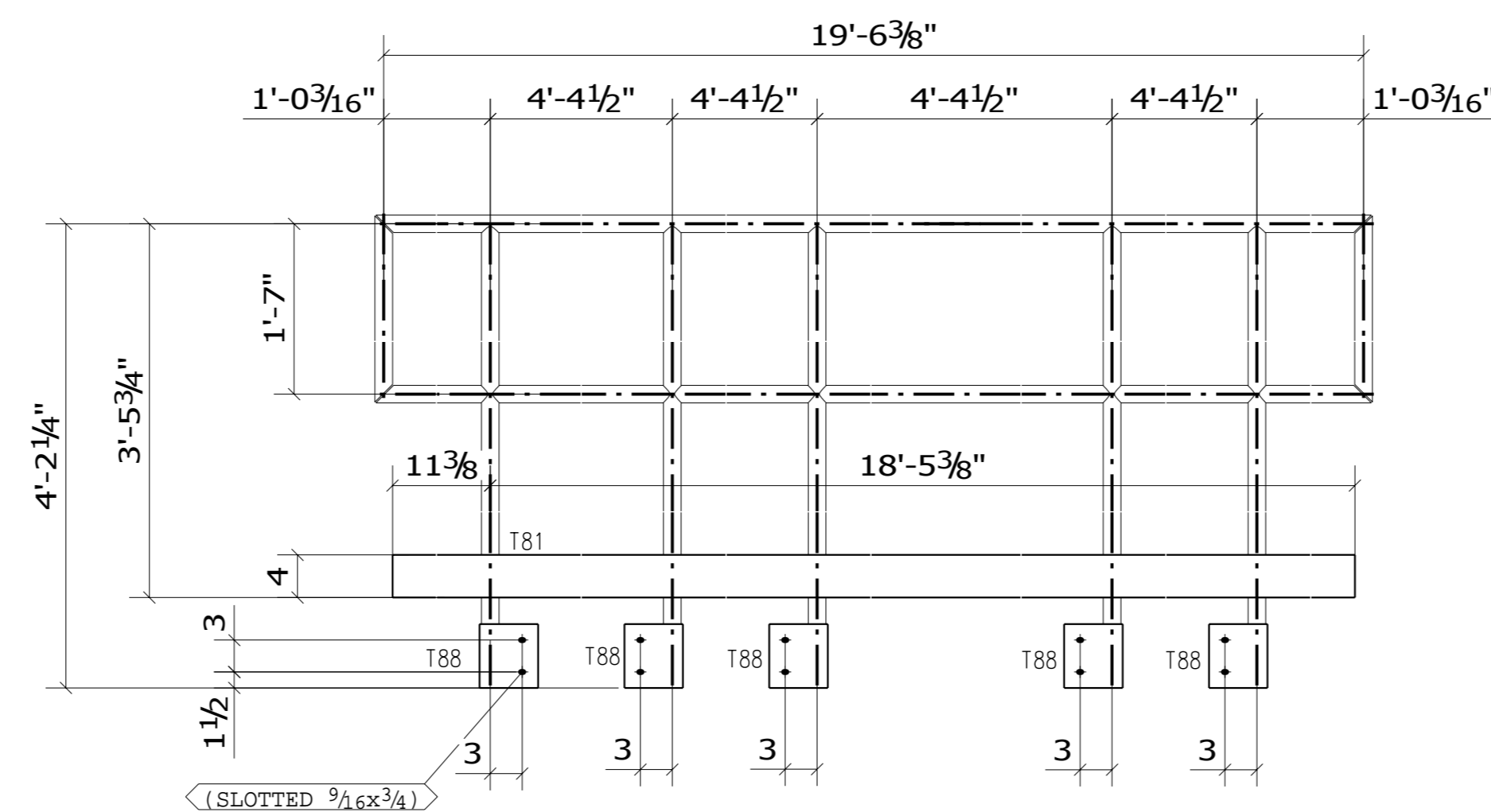
1 RAILING(s) MARK: 18R5  
 >>> PER SPEC'S <<<



1 RAILING(s) MARK: 18R7  
 >>> PER SPEC'S <<<



1 RAILING(s) MARK: 18R3  
 >>> PER SPEC'S <<<



1 RAILING(s) MARK: 18R6  
 >>> PER SPEC'S <<<

BILL OF MATERIAL									
ABM MARK	SHIPPING MARK	ASSY MARK	NO. REV'D	DESCRIPTION	LENGTH	GRADE	WEIGHT	REMARKS	
18R1			1	RAILING					
	R36		1 Lot	PIPE1-1/4STD	21 L.F.	A53			
	T85		1	FB1/4X4	3'-8 1/2"	A36	13		
	T88		2	PL3/8X5 1/2	0'-6"	A36	7		
18R2			1	RAILING					
	R37		1 Lot	PIPE1-1/4STD	21 L.F.	A53			
	T86		1	FB1/4X4	2'-11 7/16"	A36	10		
	T88		2	PL3/8X5 1/2	0'-6"	A36	7		
18R3			1	RAILING					
	R1		1 Lot	PIPE1-1/4STD	42 L.F.	A53			
	T83		1	FB1/4X4	11'-9 1/4"	A36	40		
	T88		3	PL3/8X5 1/2	0'-6"	A36	11		
18R4			1	RAILING					
	R11		1 Lot	PIPE1-1/4STD	84 L.F.	A53			
	T80		1	FB1/4X4	22'-10 1/8"	A36	77		
	T88		6	PL3/8X5 1/2	0'-6"	A36	21		
18R5			1	RAILING					
	R15		1 Lot	PIPE1-1/4STD	84 L.F.	A53			
	T84		1	FB1/4X4	26'-8 1/8"	A36	90		
	T88		6	PL3/8X5 1/2	0'-6"	A36	21		
18R6			1	RAILING					
	R13		1 Lot	PIPE1-1/4STD	63 L.F.	A53			
	T81		1	FB1/4X4	19'-4 3/4"	A36	66		
	T88		5	PL3/8X5 1/2	0'-6"	A36	18		
18R7			1	RAILING					
	R14		1 Lot	PIPE1-1/4STD	21 L.F.	A53			
	T82		1	FB1/4X4	3'-2 1/16"	A36	11		
	T88		2	PL3/8X5 1/2	0'-6"	A36	7		
							TOTAL =	397	

1-25-10 ISSUED FOR APPROVAL & FABRICATION			
MATERIAL: A36 U.O.N.	BOLT: A325 U.O.N.	HOLE SIZE: NOTED	WELD: 3/16" ELECTRODE: E70xx
<b>FABRICATORS LOGO</b>		<b>The Man, Inc.</b>	
STREET ADDRESS		PHONE: (555) 123-4567	
CITY, ST ZIP		FAX: (555) 123-4567	
ARCH: PUBLIC WORKS FORT WAINWRIGHT	JOB NAME & LOCATION: RANGE TOWER FT. WAINWRIGHT, AK		
ENGR:	REF:		
CONTR:	DRAWN BY: TMI 01/24/2010 CHECKED BY: JP 1-24-10		
SHEET TITLE: RAILINGS			JOB: 10-0102 SHEET: 18