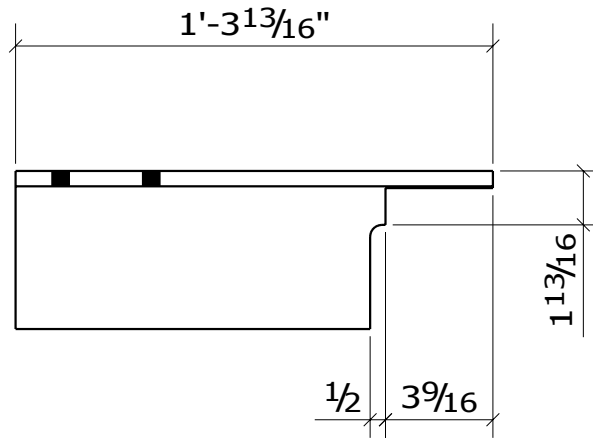
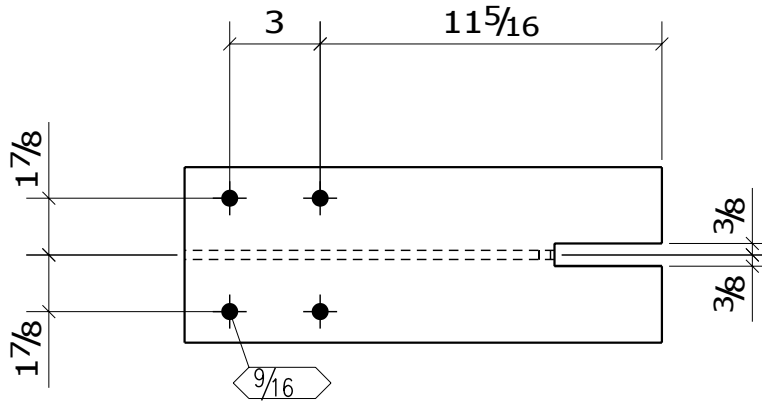


BILL OF MATERIAL

MARK	QTY.	DESCRIPTION	LENGTH	MATERIAL	REMARKS
T98	1	WT5X15	1'-3 13/16"	A36	SHAPED



1 WT(s)

MARK: T98

QTY	ASSY
1	33F1



8-2-11

ISSUED FOR FABRICATION

FABRICATORS LOGO

STREET ADDRESS
CITY, ST ZIP

PHONE: (555) 123-4567
FAX: (555) 123-4567

Mountain Residence
Idyllwild, CA

DRAWN:
TMI 07/06/2011

CHECKED:
JP 7-6-11

FITTING SHEET - WT

JOB:
5678

SHEET:
T98

