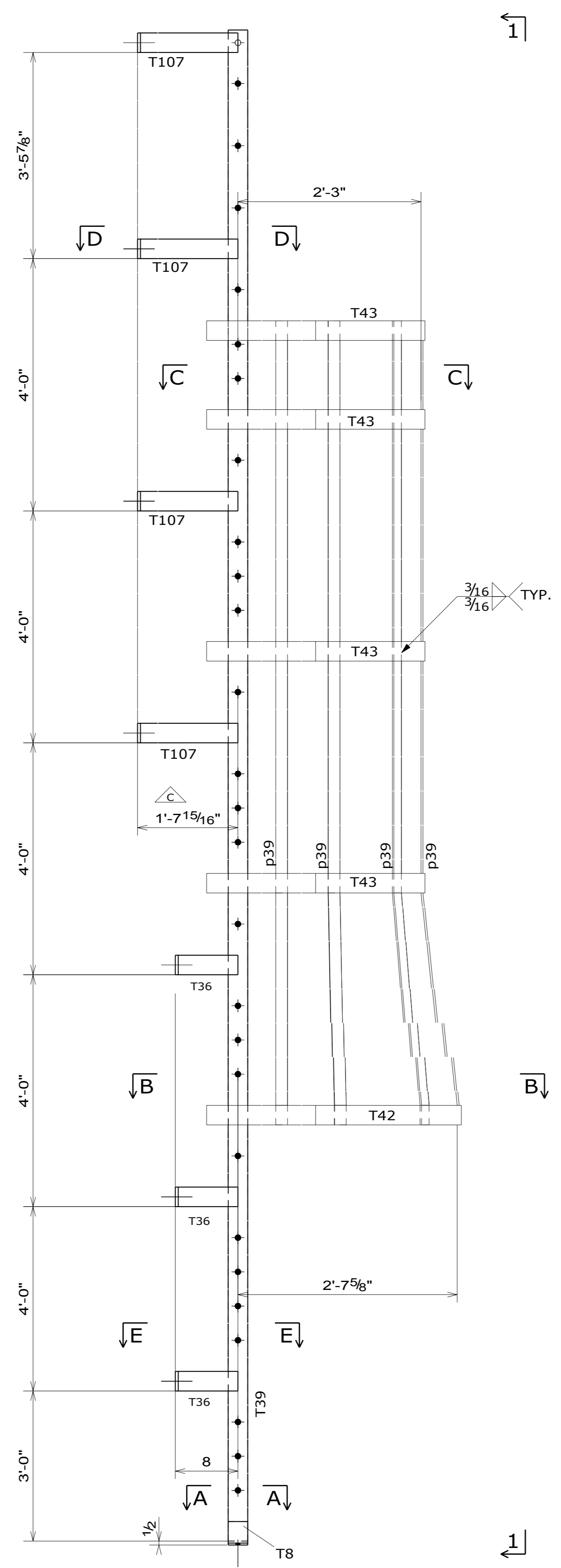
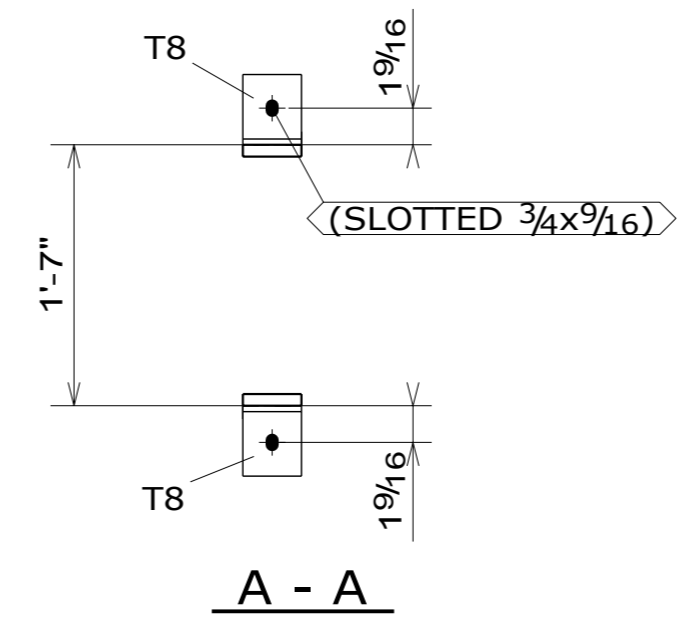
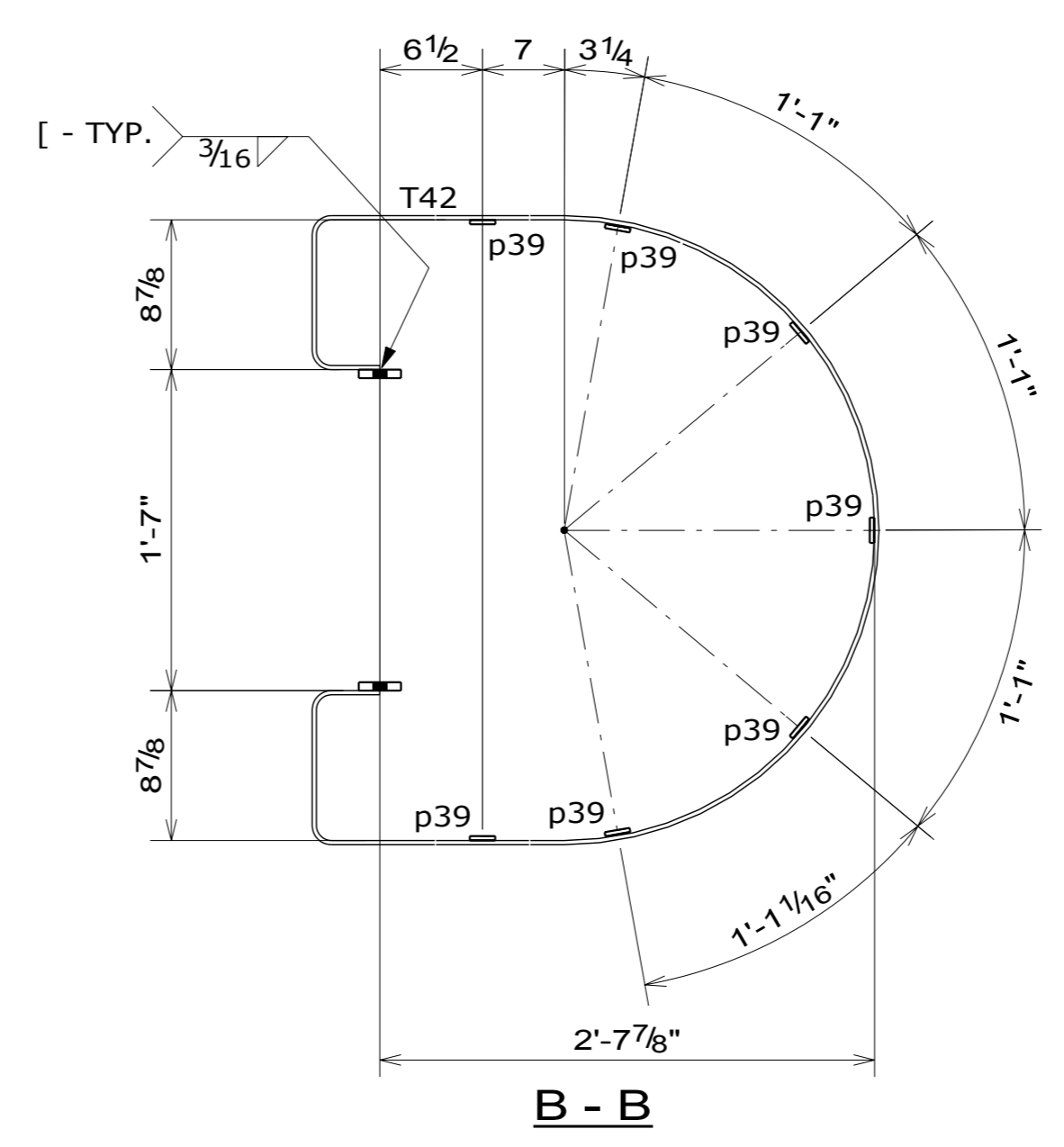
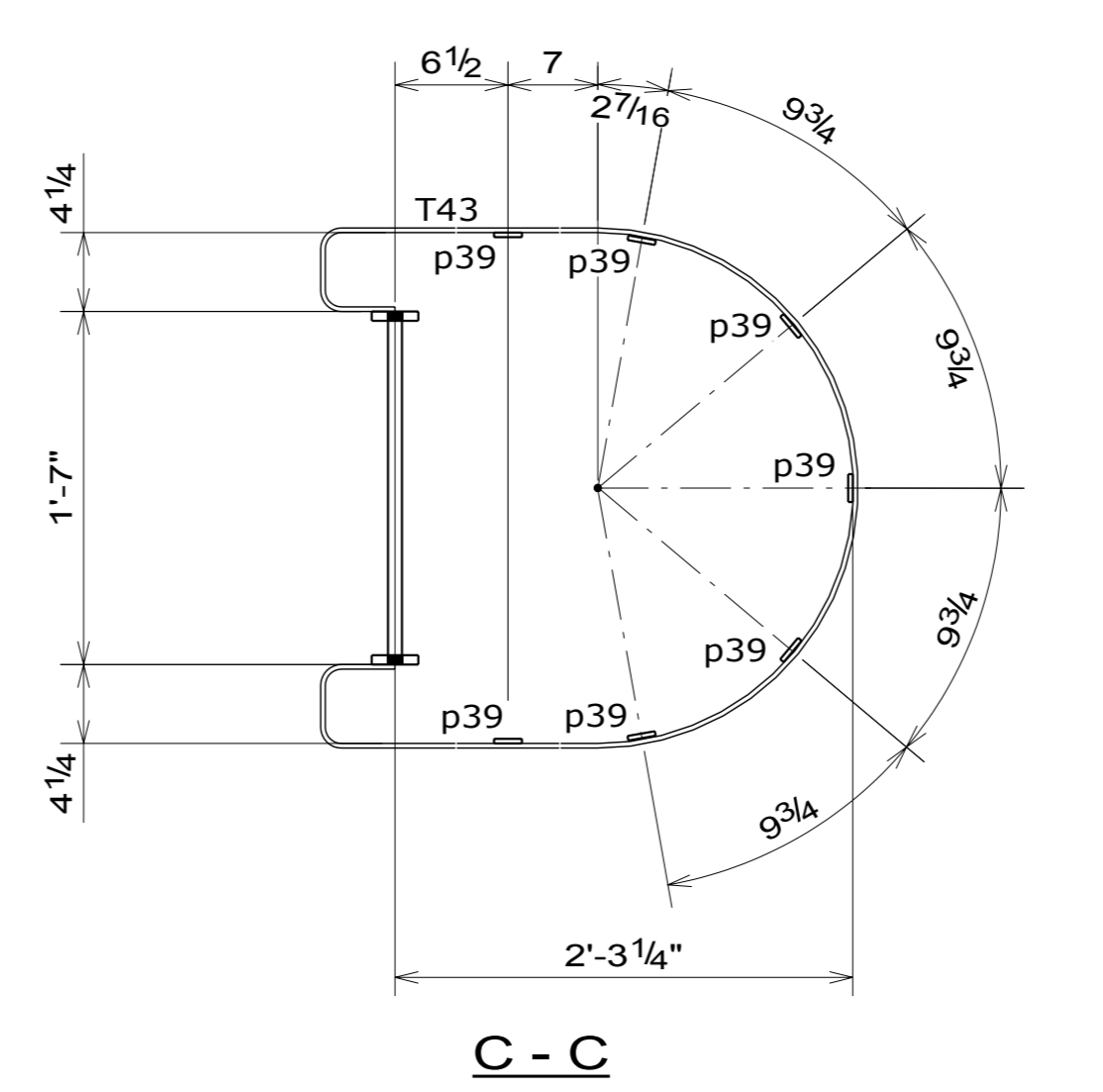
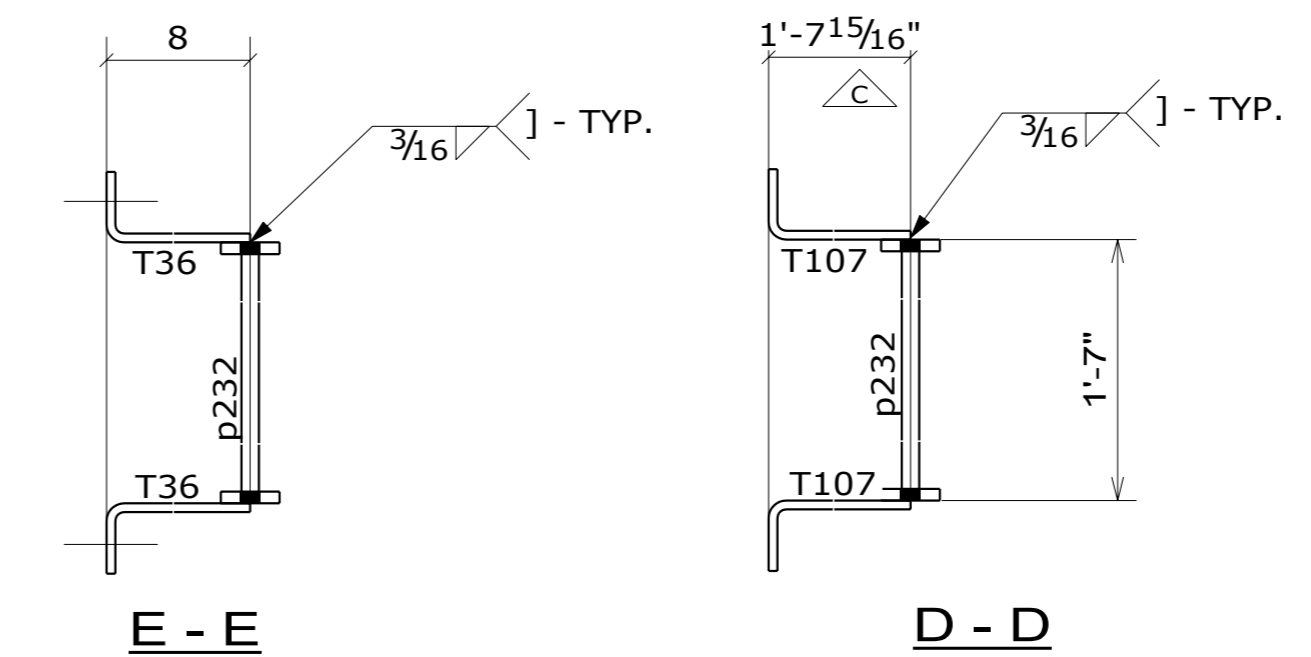


SECTION VIEW 1-1



1 Caged Ladder(s) MARK: 120A

REF: 2/S3-9, A2-3, A1-5, 6/A2-14
SHOP PRIME PER SPEC'S



BILL OF MATERIAL									
ASM MARK	SHIPPING MARK	ASSY MARK	NO. REQ'D	DESCRIPTION	LENGTH	GRADE	WEIGHT	REMARKS	
120A			1	Caged Ladder					
		T8	2	L3X3X1/4	0'-2 1/2"	A36	2		
		T36	6	PL3/8X2 1/2	0'-10 3/8"	A36	17		BENT PLATE
		T39	2	FB1/2X2 1/2	26'-8 3/4"	A36	227		
		T42	1	FB1/4X2 1/2	9'-8 5/8"	A36	21		ADD FOR ROLLING
		T43	4	FB1/4X2 1/2	7'-8 7/8"	A36	65		ADD FOR ROLLING
		T107	8	PL3/8X2 1/2	1'-10 5/16"	A36	47		BENT PLATE
		p39	7	FB1/4X1 1/2	13'-10 7/8"	A36	123		
		p232	27	ROD3/4	1'-6 3/4"	A36	63		
							TOTAL =	565	

BOLT SUMMARY - QTY'S ARE FOR ONE ASSEMBLY ONLY									
ASSEMBLY NO. REQ'D	DIA.	LENGTH	WORKSHOP/SITE	BOLT GRADE / SHIP WITH	REMARKS				
120A	1/2"	4"	Site	HLTI HHTHY150HEX					

DRAWING NOTES:
SEE DRAWINGS E115, E117, & E118 FOR PLACEMENT

2-6-07	ISSUED TO FAB - PCI-FPA				
1-13-07	REVISE TO CLEAR OFFSET WALL				
11-20-06	ISSUED FOR APPROVAL - REVISE & RESUBMIT				
8-18-06	ISSUED FOR APPROVAL				
MATERIAL: A36 U.O.N.	HOLE SIZE: 13/16" U.O.	BOLT GRADE: A325 U.O.N.	MINIMUM WELD: 3/16" U.O.N.	ELECTRODE: E70xx	
FABRICATORS LOGO		The Man, Inc. jack@theman.com Phone: 760 295-1860 Fax: 760 289-3135 Professional Steel Detailing & Consulting			
ARCH: ARCHITECT Phoenix, AZ	JOB NAME & LOCATION: Balboa Theatre San Diego, CA				
ENGR: ENGINEER San Diego, CA	STREET ADDRESS: CITY: ST ZIP				
CONTR: CONTRACTOR San Diego, CA	PHONE: (555) 123-4567 FAX: (555) 123-4567				
REF:	DRAWN BY: SSC			CHECKED BY: JP	8-18-06
SHEET TITLE: LADDER FROM FLY FLOOR UP TO PLATFORM				JOB: 605	SHEET: 120
MODIFIED DATE: 02/05/2007 LAST PLOT DATE: 11/18/2006 CAD FILENAME: BalboaTheatre					