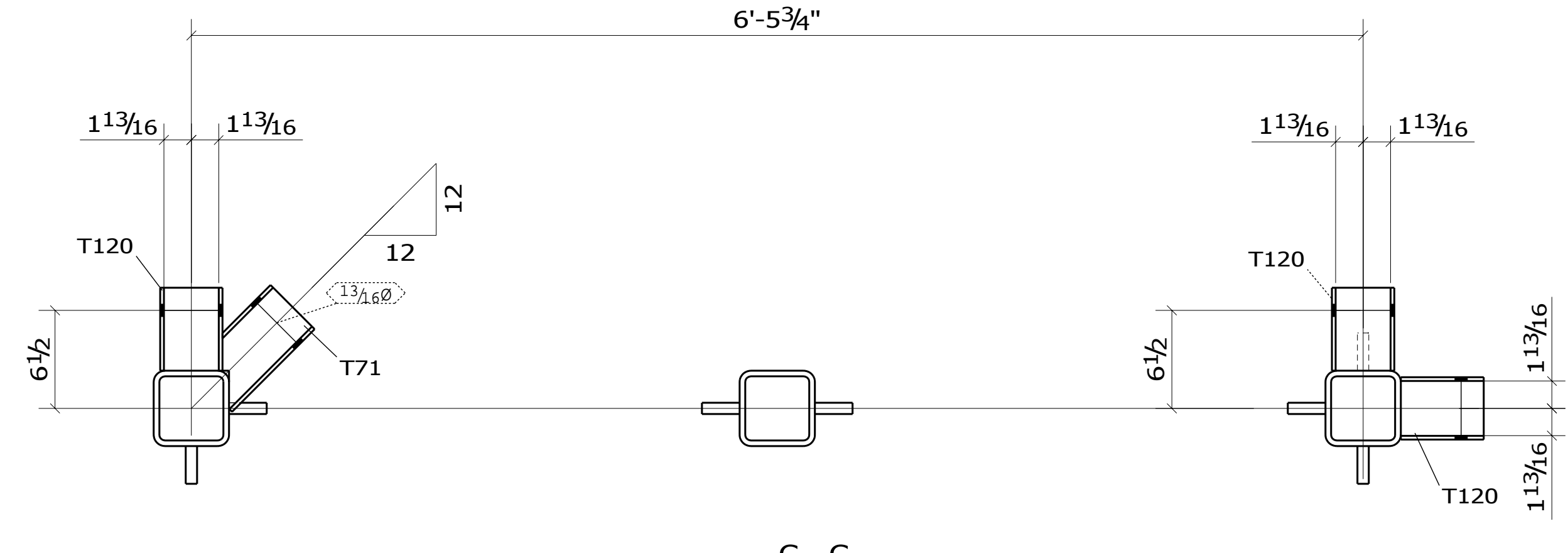
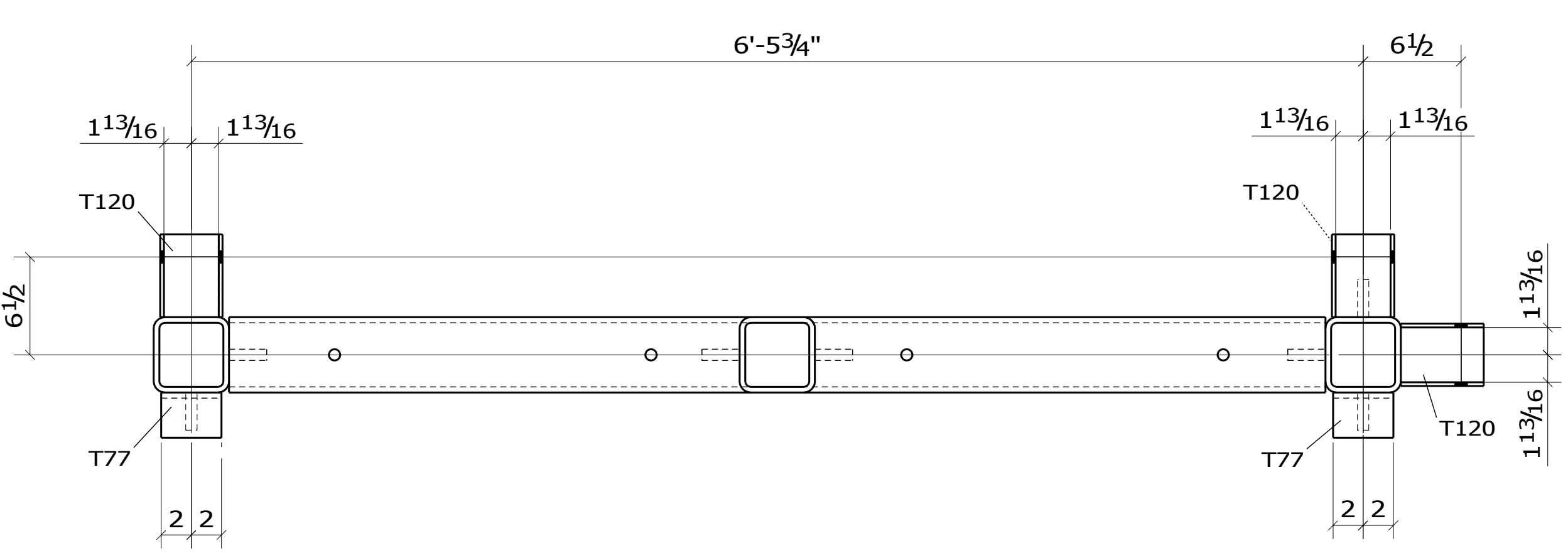


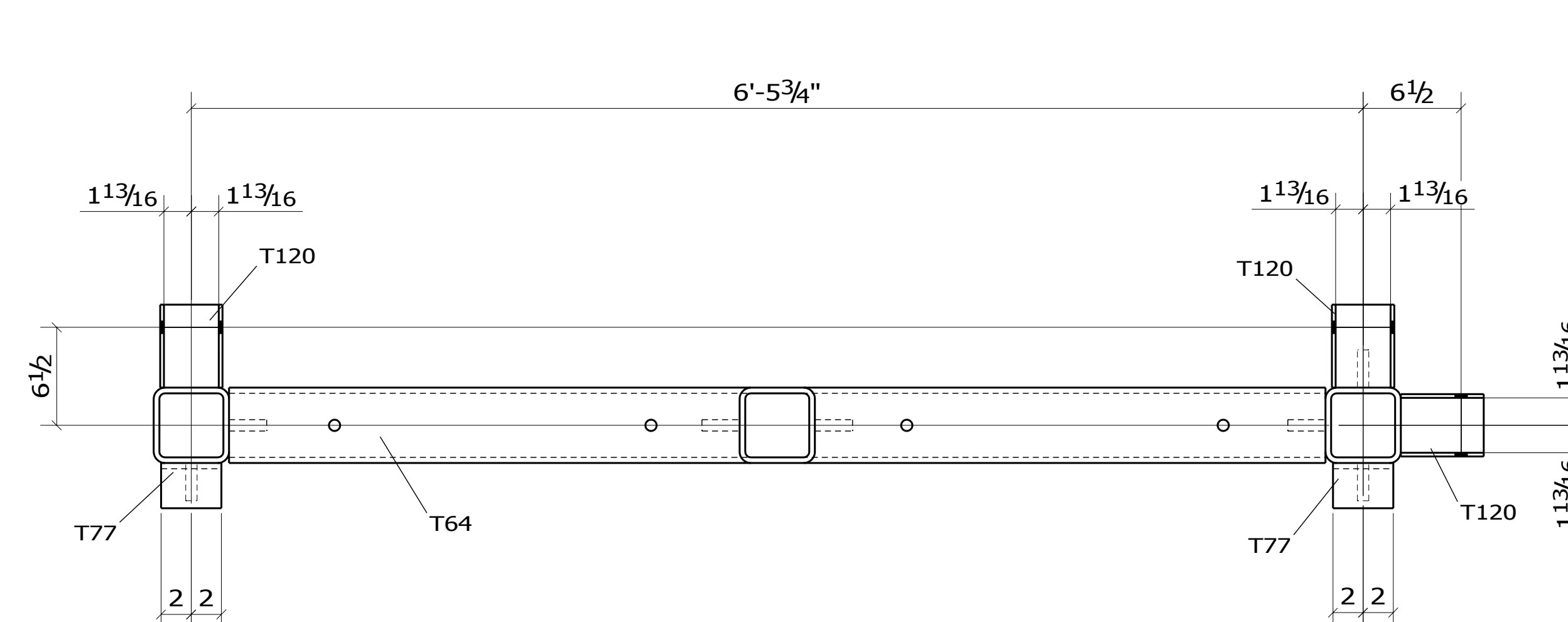
D - D



C - C

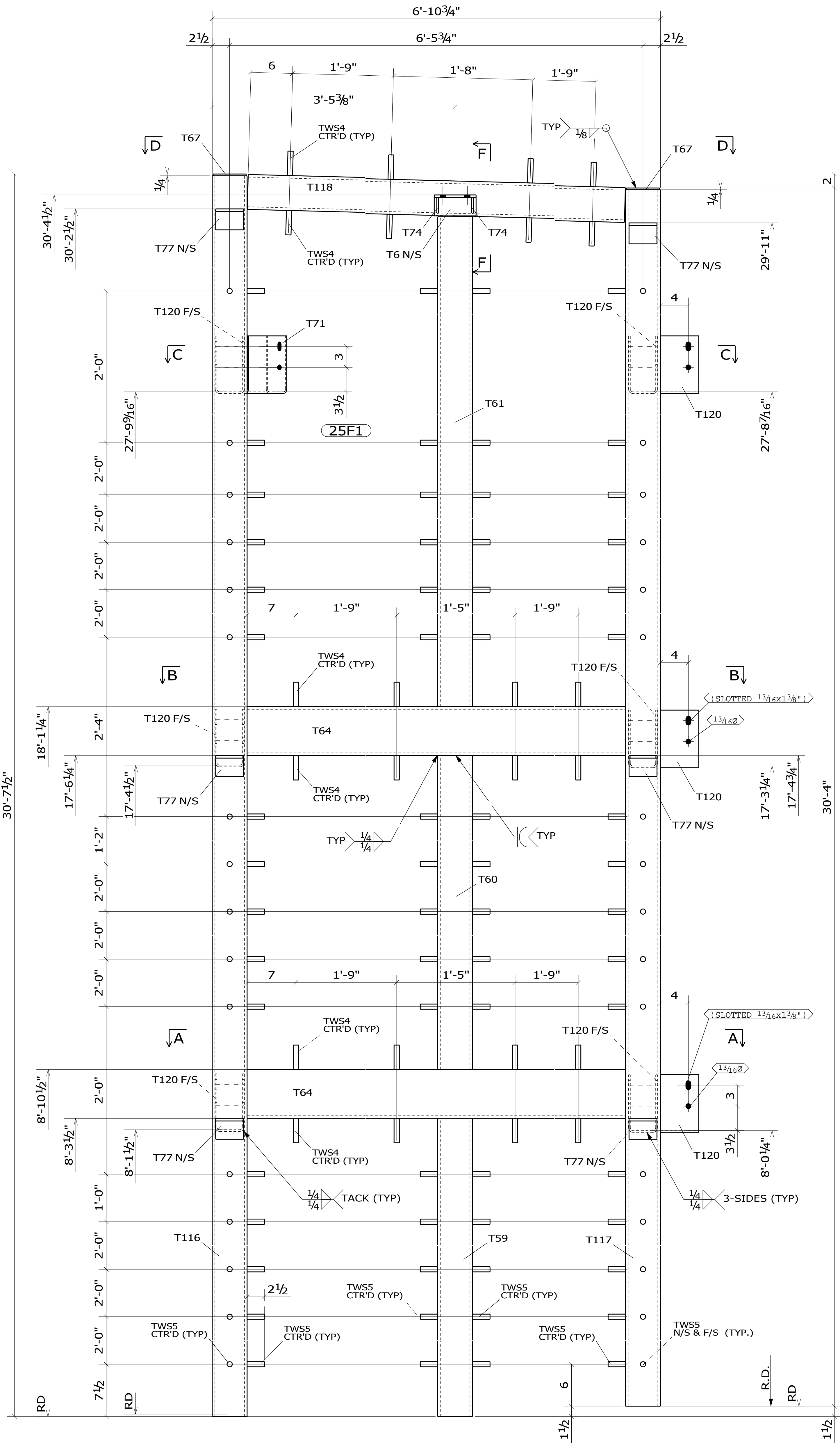


B - B



A - A

- SADDLE ELEV'S
VERIFY BEFORE FABRICATING



1 FRAME FR-8(s) MARK: 25F1
>>> SHOP PRIME <<<
(REF: S2.2, S2.3, S4.1 S10.1)

BILL OF MATERIAL									
APR. MARK	SHIPPING MARK	ASSY. MARK	NO. REQ'D	DESCRIPTION	LENGTH	GRADE	WEIGHT	REMARKS	
	25F1		1	FRAME FR-8					
			1	L3X3X3/8	0'-6"	A36	4		
			1	HSS5X5X3/8	8'-3 1/2"	A500-GR. B	174		
			1	HSS5X5X3/8	8'-7 3/4"	A500-GR. B	182		
			2	HSS7X5X3/8	6'-0 3/4"	A500-GR. B	313		
			2	PL1/4X4 3/4	0'-4 3/4"	A36	3		
			1	BPL1/4X7 3/4	1'-7 11/16"	A36	9	BRAKE MIE	
			2	PL1/4X2 1/4	0'-2 1/4"	A36	0	SHAPE	
			6	L3X3X3/8	0'-4"	A36	14		
			9	BPL1/4X5 1/2	1'-7 11/16"	A36	69	BRAKE	
			24	3/4" Ø TWS	0'-3 1/2"	A108	11		
			111	3/4" Ø TWS	0'-2 1/2"	A108	35		
							TOTAL =	813	

FOR APPROVAL ONLY - NOT FOR CONSTRUCTION

DRAWING NOTES:
NO PAINT WITHIN 2" OF OPEN ENDS OF ALL HSS SHAPES
NO PAINT ZONE NEAR pc 177 FOR FIELD WELDING CROSS BEAM

11-14-11 ISSUED FOR APPROVAL		FABRICATORS LOGO			
STREET ADDRESS		PHONE: (555) 123-4567		jack@pajack.com Phone 760 295-1860 Fax 760 289-3125	
CITY, ST ZIP		FAX: (555) 123-4567		258 MILL COLUMBIA La Jolla, CA	
ARCH: Architect		DESIGNER: Designer		CONTRACTOR: Contractor	
ENGR: Engineer		CONTRACTOR: Contractor		JOB: 1234 SHEET: 25	
CONTR: Contractor		DRAWN BY: TMI 11/12/2011		CHECKED BY: JP 11-13-11 SHEET TITLE: ELEVATOR TOWER FRAME	