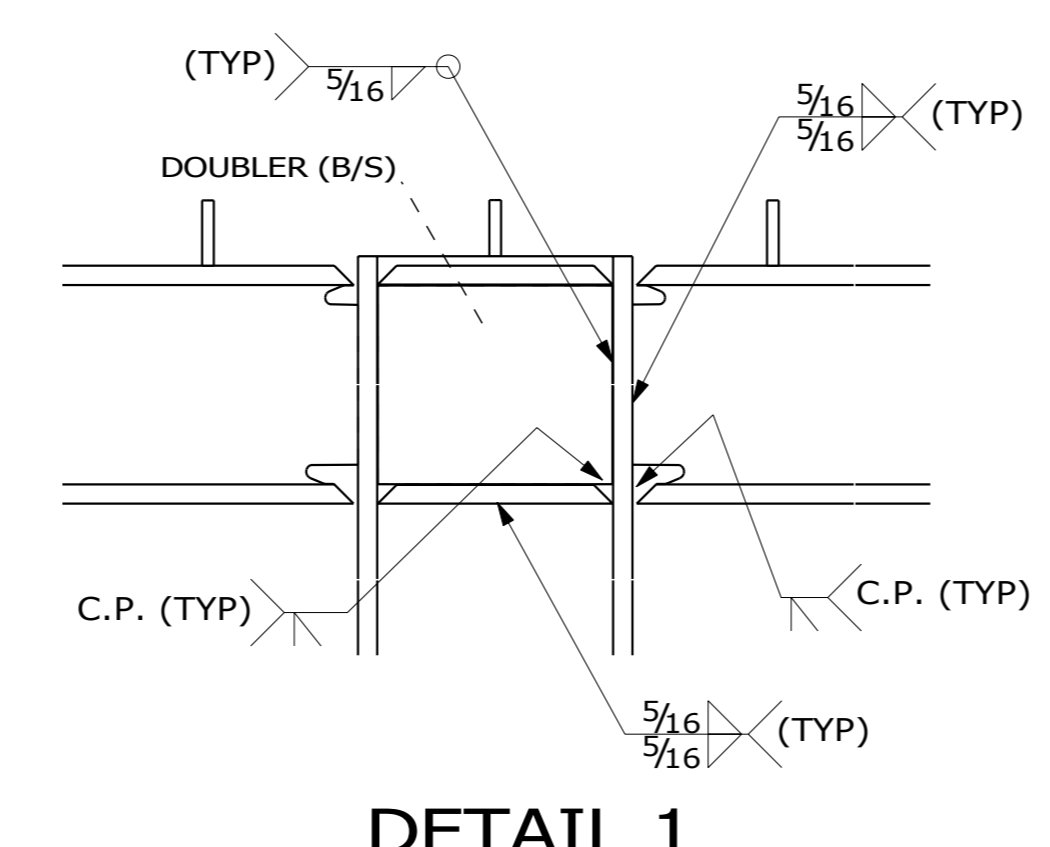
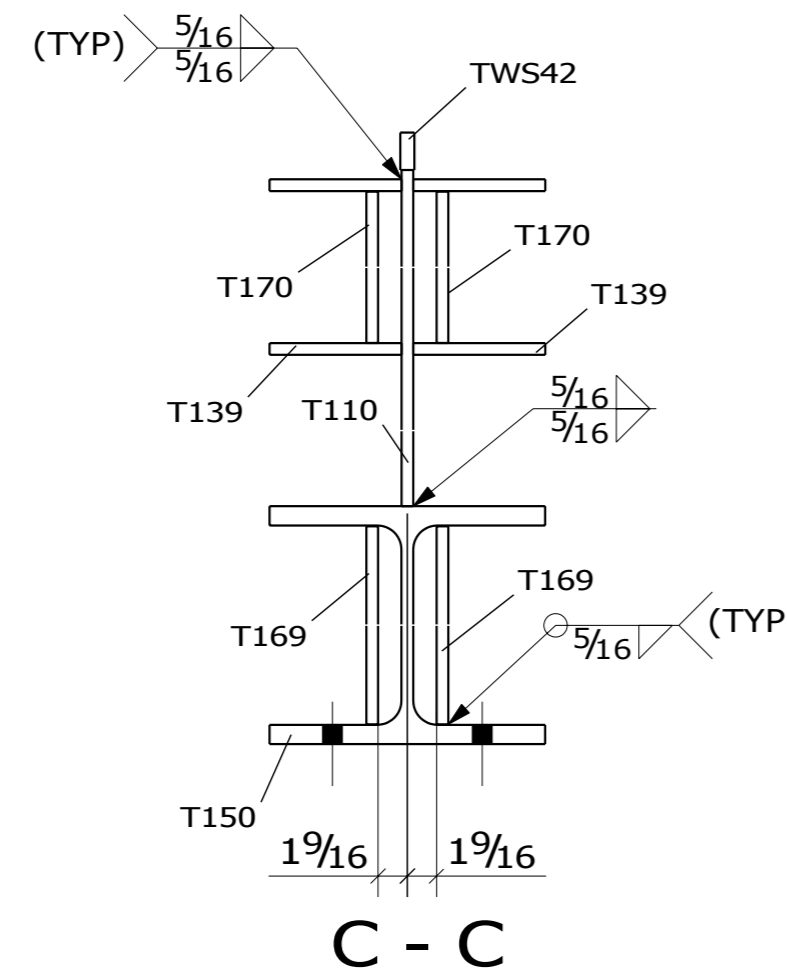
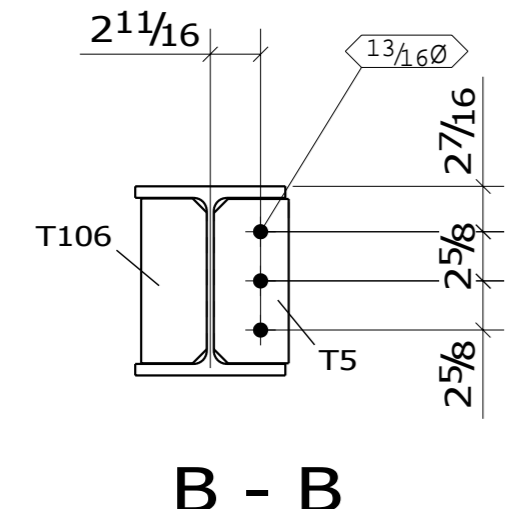
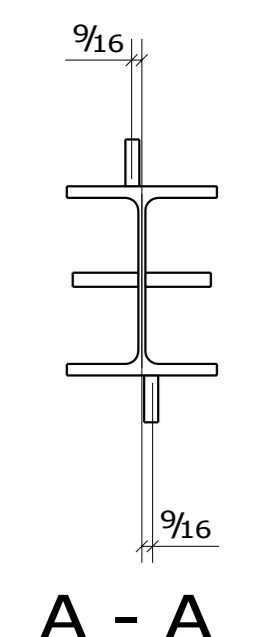
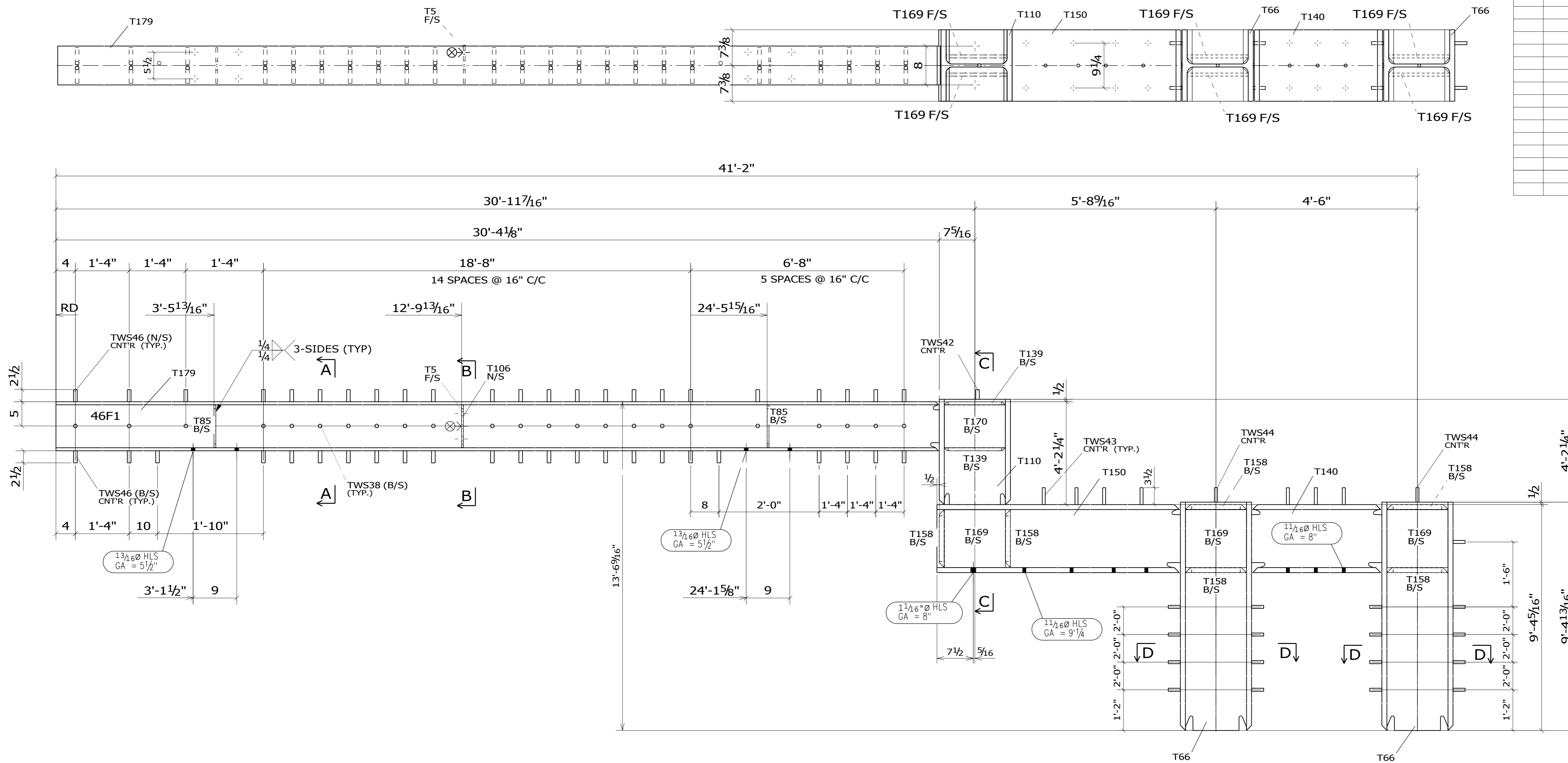


BILL OF MATERIAL									
ABM MARK	SHIPPING MARK	ASSY MARK	NO. REQ'D	DESCRIPTION	LENGTH	GRADE	WEIGHT	REMARKS	
			1	FRAME					
	46F1		1	ROD1/16	0'-10"	A36	0		
	T5		1	PL3/8X4	0'-8 3/4"	A36	4		
	T66		2	W14X132	9'-4 13/16"	A992	2483	PREP	
	T85		4	PL3/8X3 1/2	0'-8 3/4"	A36	13		
	T106		1	PL3/8X3 1/2	0'-8 13/16"	A36	3		
	T110		1	W14X132	4'-2 3/4"	A992	558	PREP	
	T139		4	PL5/8X7 1/16	1'-0 9/16"	A572-50	60	PREP	
	T140		1	W14X132	3'-3 5/16"	A992	433	PREP	
	T150		1	W14X132	5'-9"	A992	760	PREP	
	T158		12	PL1 X7 1/16	1'-0 9/16"	A572-50	275	PREP	
	T169		6	PL5/8X12 9/16	1'-0 9/16"	A572-50	168		
	T170		2	PL5/8X8 13/16	1'-0 9/16"	A572-50	39		
	T179		1	W10X45	30'-4 1/8"	A992	1373	PREP	
	TWS38		46	3/4" Ø TWS	0'-3 1/2"	A108	20		
	TWS42		1	3/4" Ø TWS	0'-2"	A108	0		
	TWS43		7	5/8" Ø TWS	0'-3 1/2"	A108	2		
	TWS44		2	5/8" Ø TWS	0'-3"	A108	1		
	TWS45		33	5/8" Ø TWS	0'-2 1/2"	A108	7		
	TWS46		46	3/4" Ø TWS	0'-2 1/2"	A108	14		
							TOTAL =	6213	



1 FRAME(S) MARK: 46F1  
 >>> SHOP PRIME <<<  
 (REF: S2.2, K/S6.2)

9-20-11	ISSUED FOR FABRICATION - REVISED PER APPROVAL			
9-1-11	ISSUED FOR APPROVAL			
MATERIAL: A992 U.O.	BOLT: A325 U.O.	HOLE SIZE: 13/16" U.O.N	WELD:	ELECTRODE:
<b>FABRICATORS LOGO</b> STREET ADDRESS: PHONE: (555) 123-4567 CITY: ST ZIP FAX: (555) 123-4567		<b>Theman, Inc.</b> jack@theman.com Phone 760 295-1860 Fax 760 269-3135 Professional Steel Detailing & Consulting		
ARCH: Architects, Inc.	ENGR: Engineers, Inc.	CONTR: Contractors, Inc.	JOB NAME & LOCATION: Mountain Residence idyllwild, CA	
REF:	DRAWN BY: TMI 08/30/2011	CHECKED BY: JP 8-31-11	JOB: 5678	
SHEET TITLE: FRAME - KITCHEN			SHEET: 46	
MODIFIED DATE: 12/11/2011 LAST PLOT DATE: 10/17/2011 CAD FILENAME: WEBDWG				