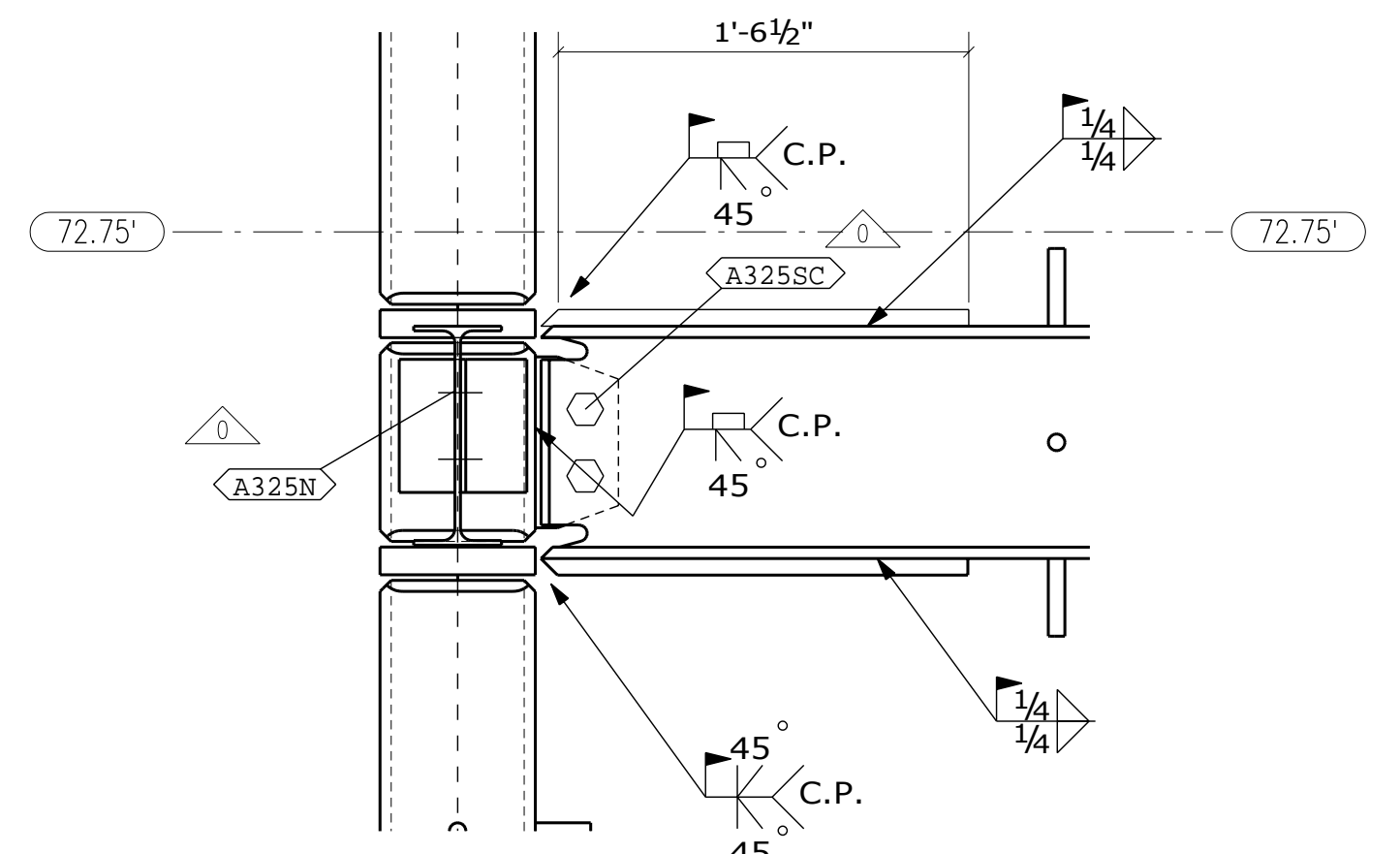


Drawing E8 shows Sections 1-1, 2-2, 3-3, 4-4, A-A, B-B, and C-C
 Drawing E9 shows Sections 5-5, 6-6, 7-7, 8-8, D-D, and F-F
 Drawing E11 shows Sections 9-9, 10-10, 11-11, 12-12, 13-13, and G-G

T.O.S BEAMS EL. 72'-4³/₄" U.O.N.
2nd FLOOR FRAMING PLAN - TOP OF PLYWD SHEATHING EL. 72'-9"

DRAWING NOTES:
 ALL BOLTS ARE A325N U.O.N.
 ALL BOLTS AT MOMENT FRAMES ARE A325SC
 ALL BOLTS INSTALLED WITH THREADS EXCLUDED FROM MATERIAL PLYS



TYPICAL FIELD WELDS

FOR APPROVAL ONLY - NOT FOR CONSTRUCTION

11-14-11	ISSUED FOR APPROVAL	
10-31-11	GENERAL REVISION PER REVIEW & RFI COMMENTS	
10-25-11	REVISED PER REVIEW	
10-3-11	ISSUED FOR REVIEW	

FABRICATORS LOGO		The Man, Inc. Professional Steel Detailing & Consulting
STREET ADDRESS CITY, ST ZIP	PHONE: (555) 123-4567 FAX: (555) 123-4567	
ARCH: Architect ENGR: Engineer CONTR: Contractor	JOB NO: 1234 SHEET: E5	