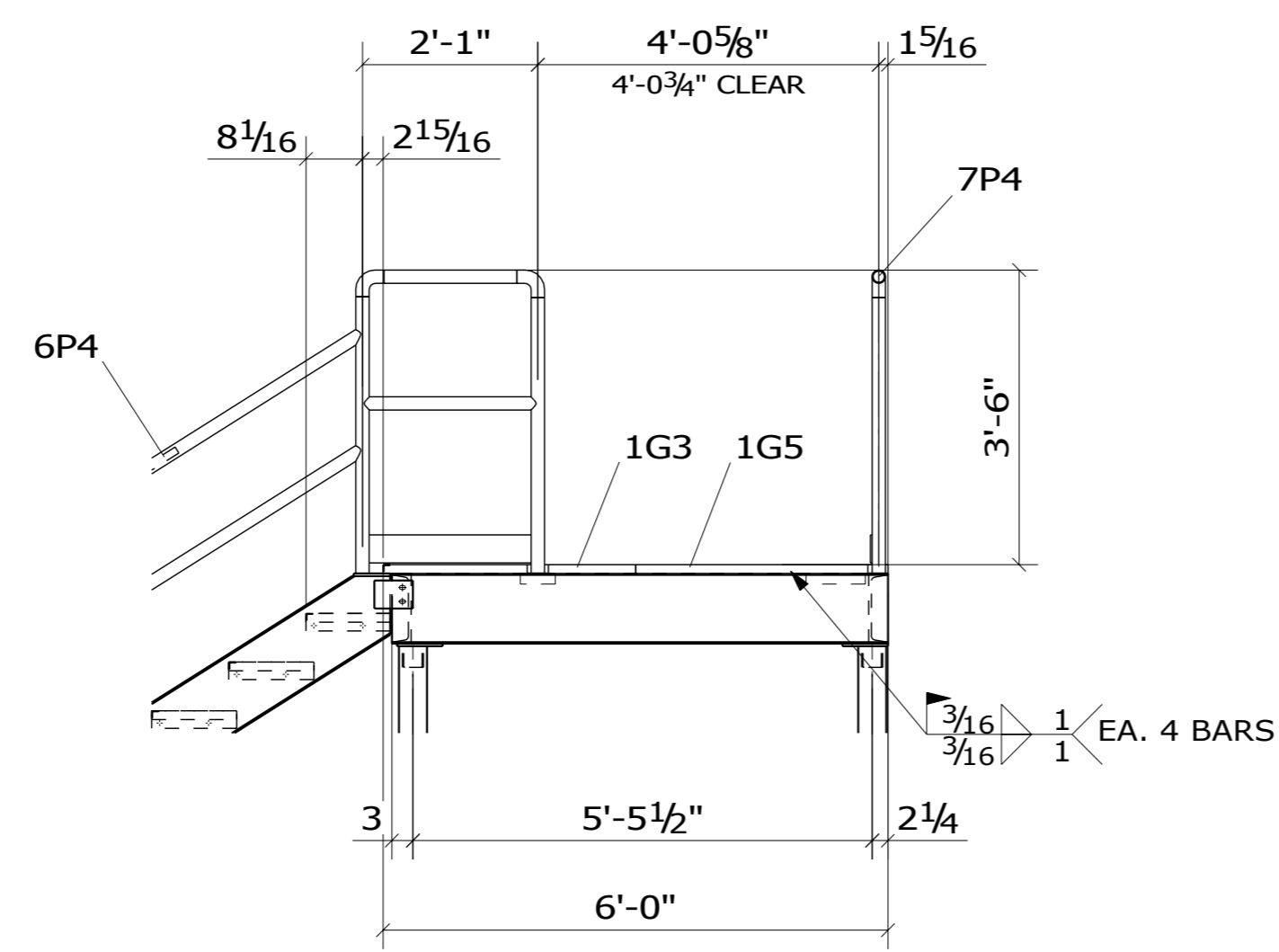


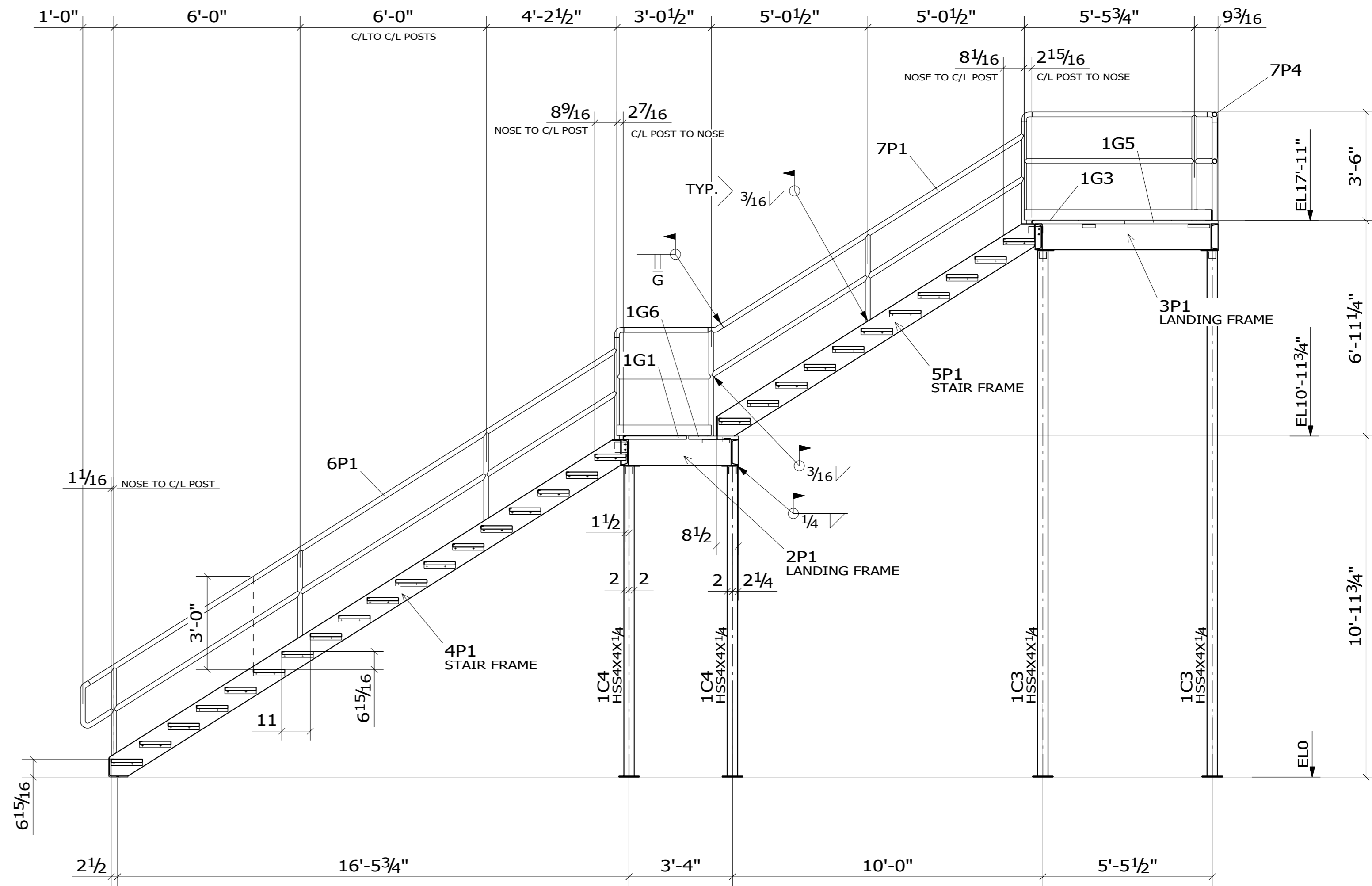
STAIR 2 PLAN - EL. 10'-11 3/4"

STAIR 2 PLAN - EL. 17'-11"

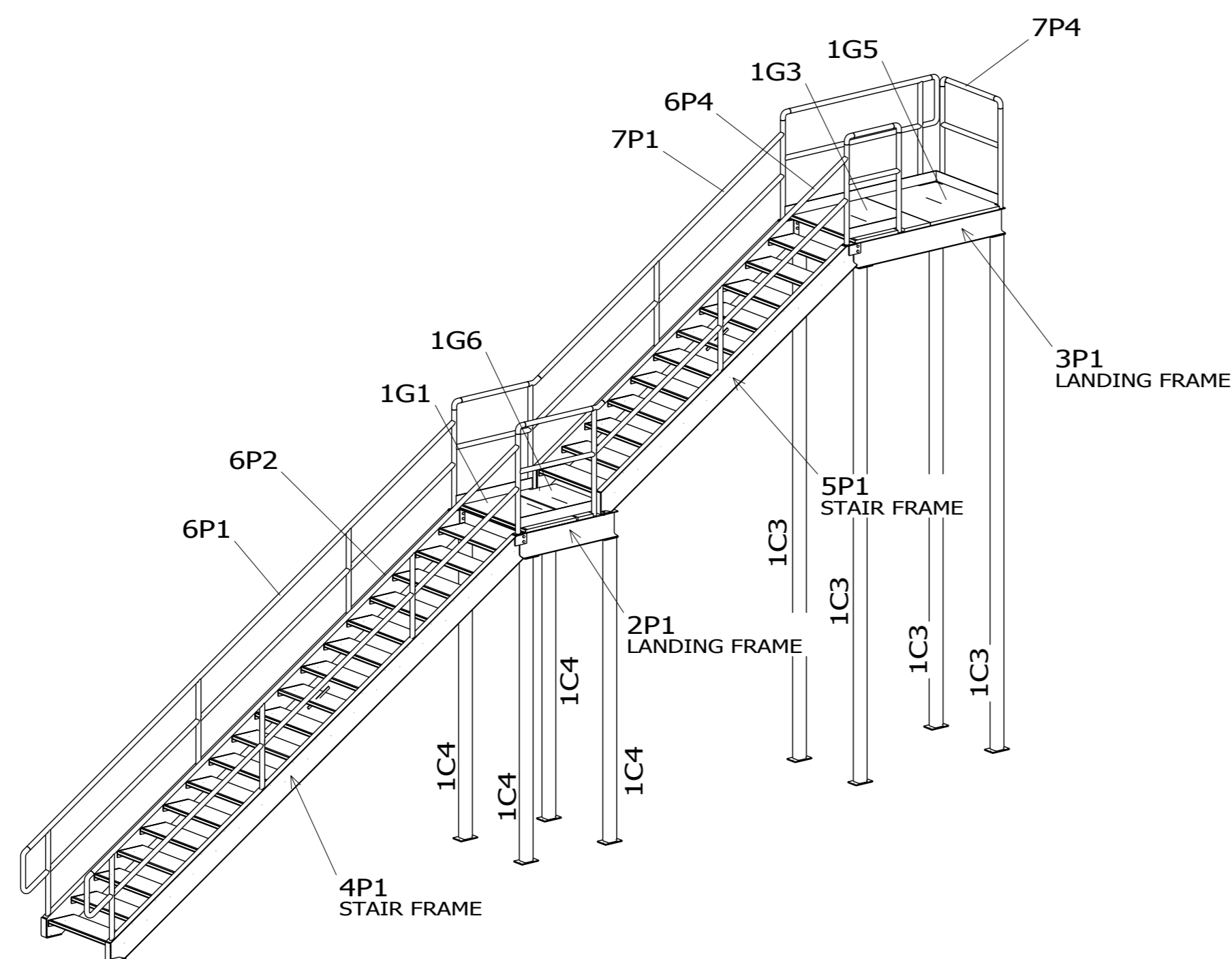
STAIR 2 PLAN - EL. 0'-0"



A - A



STAIR 2 CROSS SECTION



STAIR 2 - 3d

5-10-10 ISSUED FOR APPROVAL & CONSTRUCTION	
FABRICATORS LOGO	
The Man, Inc. jack@pajack.com Phone 760 295-1860 Fax 760 269-3135 Professional Steel Detailing & Consulting	
ARCH:	JOB NAME & LOCATION: Deadhorse Stairs Deadhorse, AK
ENGR: Great Northern Engineering Ramon Al	
CONTR:	
REF:	JOB:
DRAWN BY: TMI 05/08/2010	CHECKED BY: JP 5-10-10
SHEET TITLE STAIR 2	SHEET: E2
MODIFIED DATE: 12/15/2011 LAST PLOT DATE: 05/10/2010 CAD FILENAME: web	