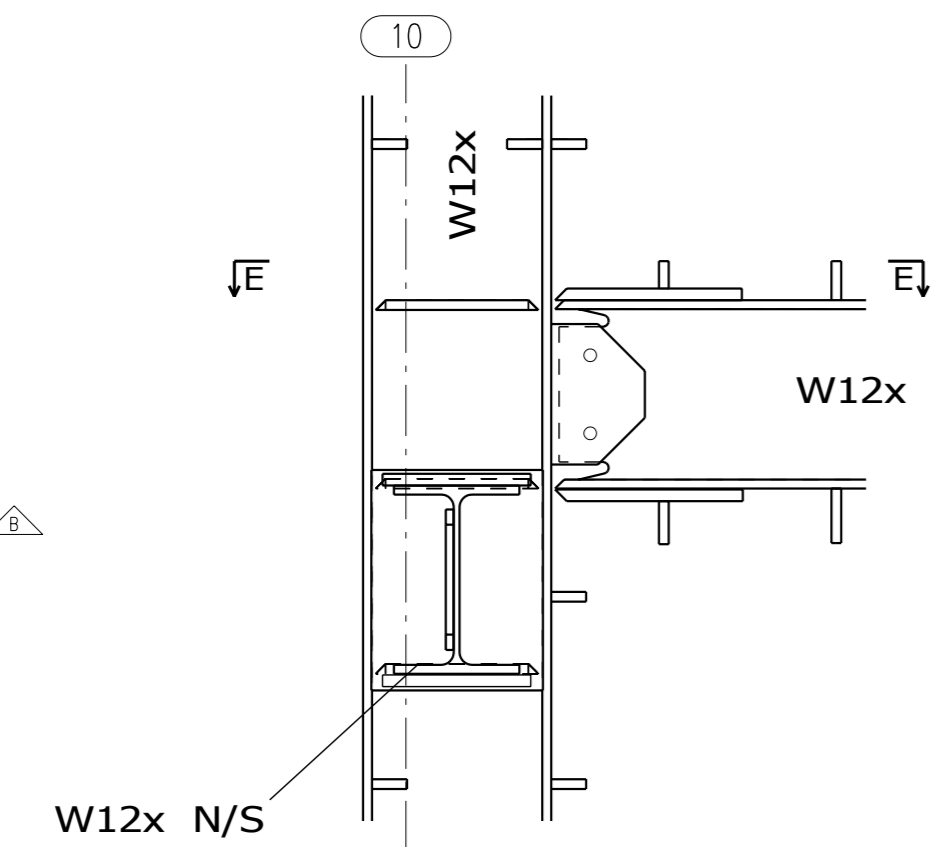
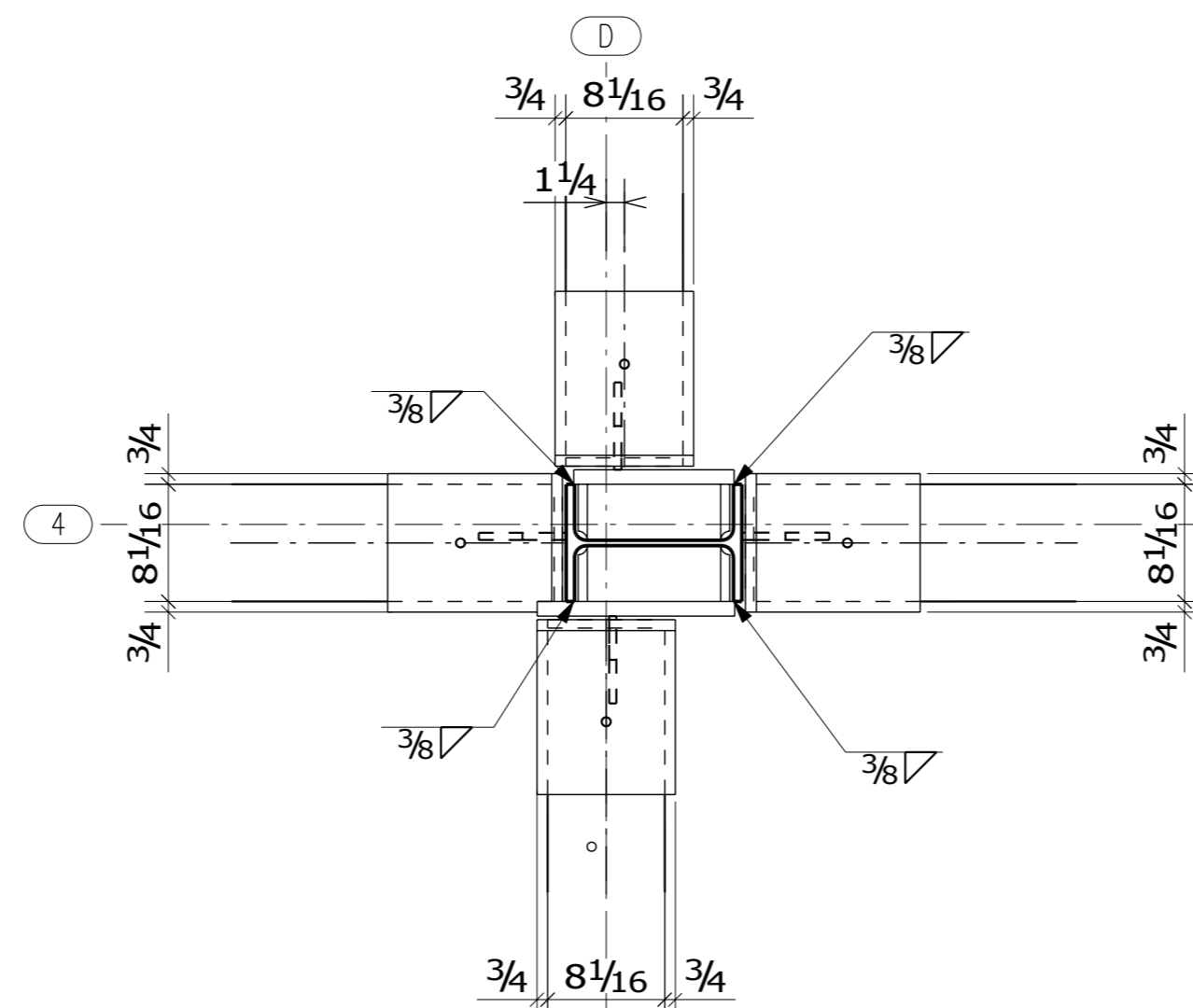


E - E

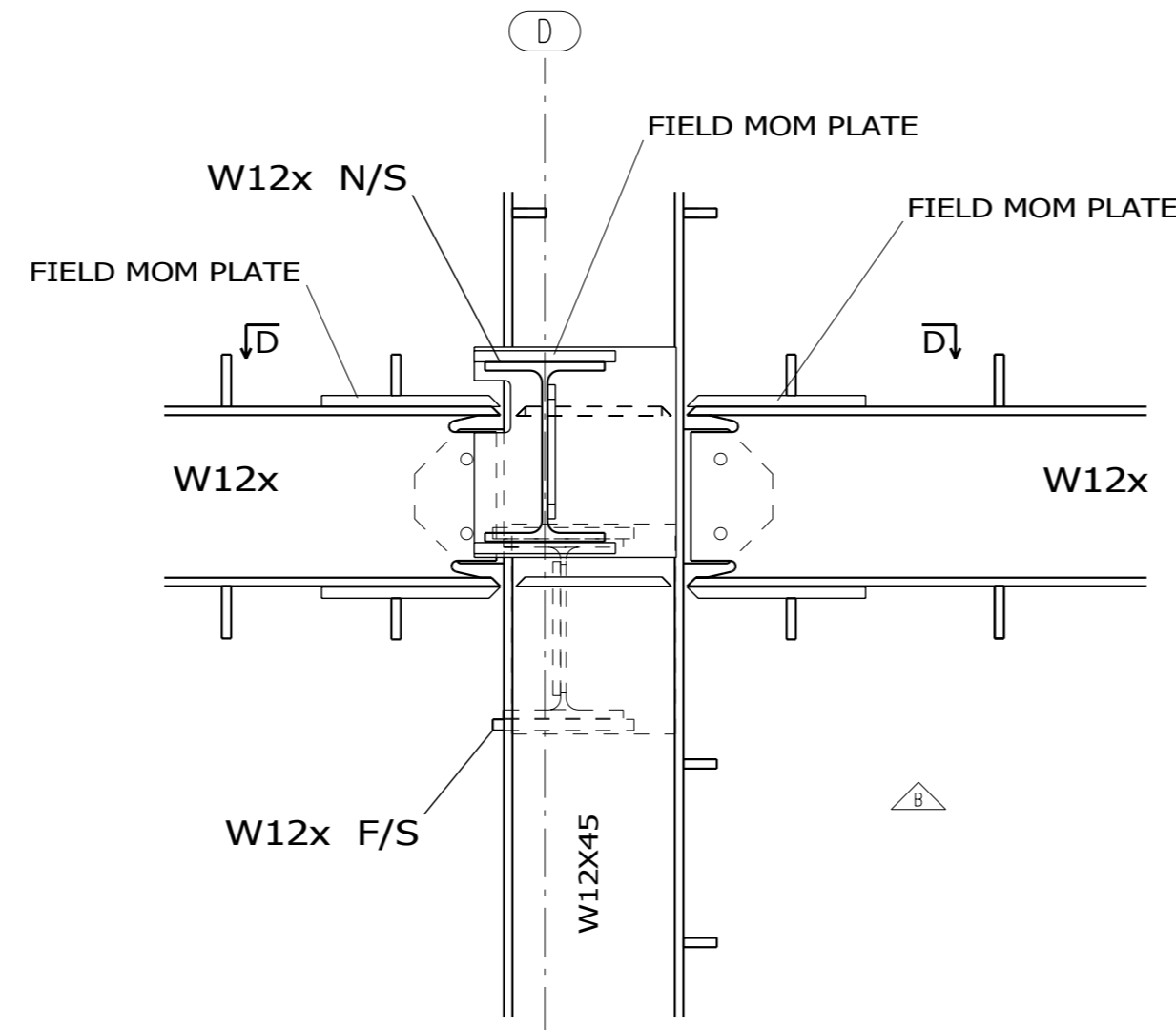


SEE DETAIL A+B FOR WELDING

DETAIL E



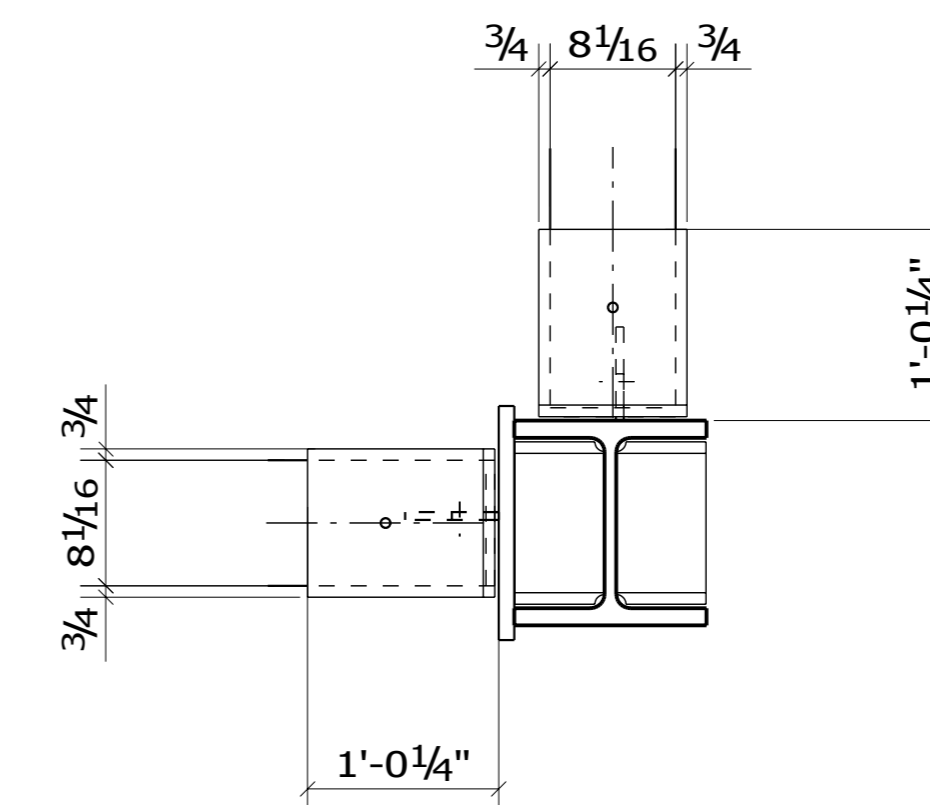
D - D



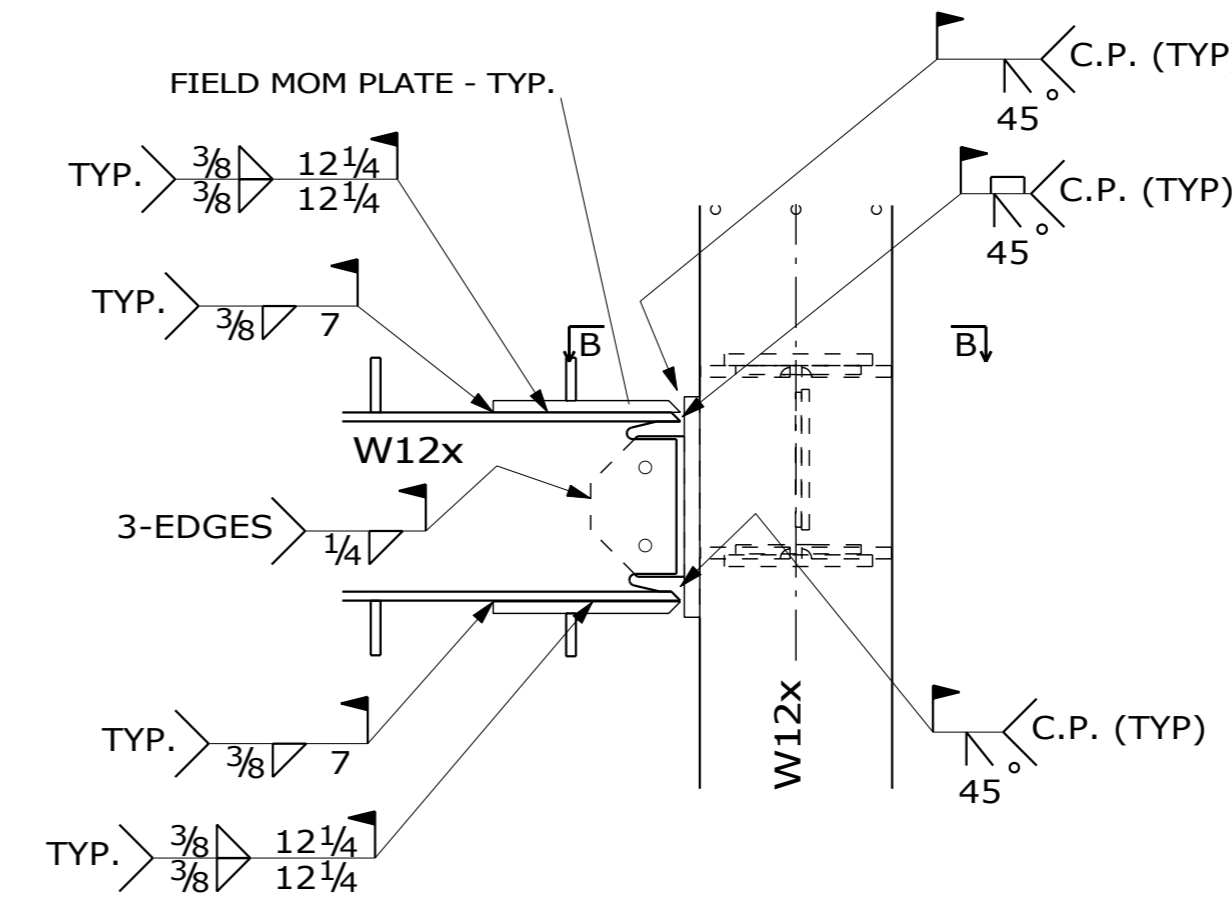
SEE DETAIL A+B FOR WELDING

DETAIL D

REF: 7+11/A21

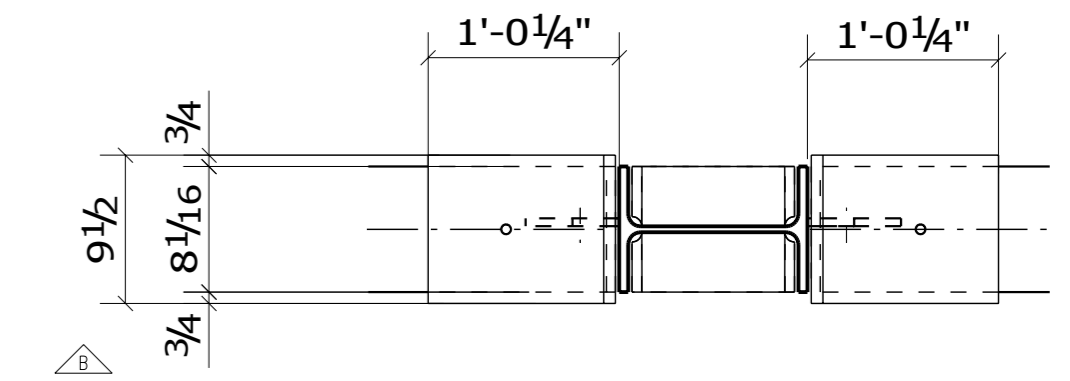


B - B

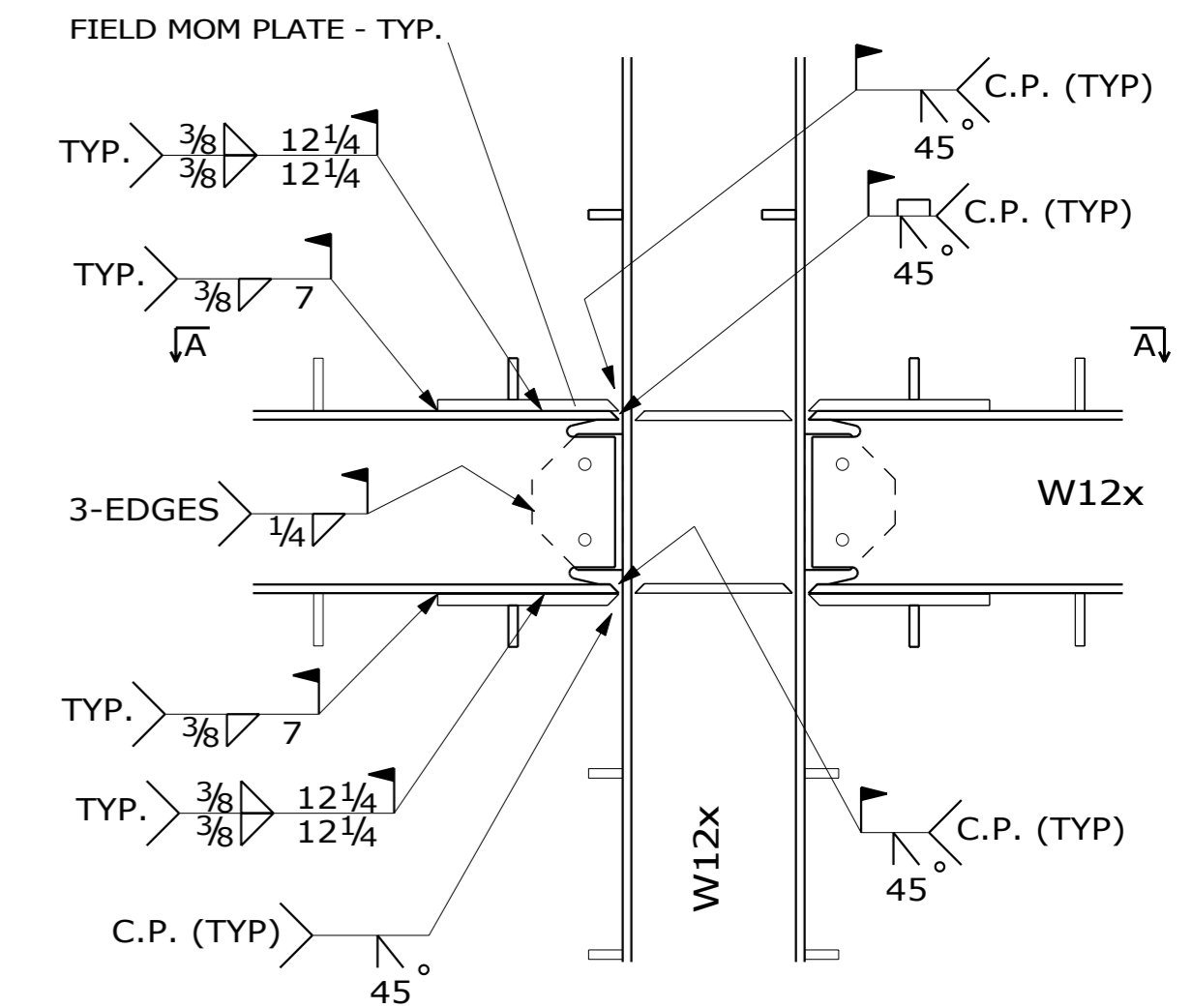


DETAIL B

REF: 7/A21

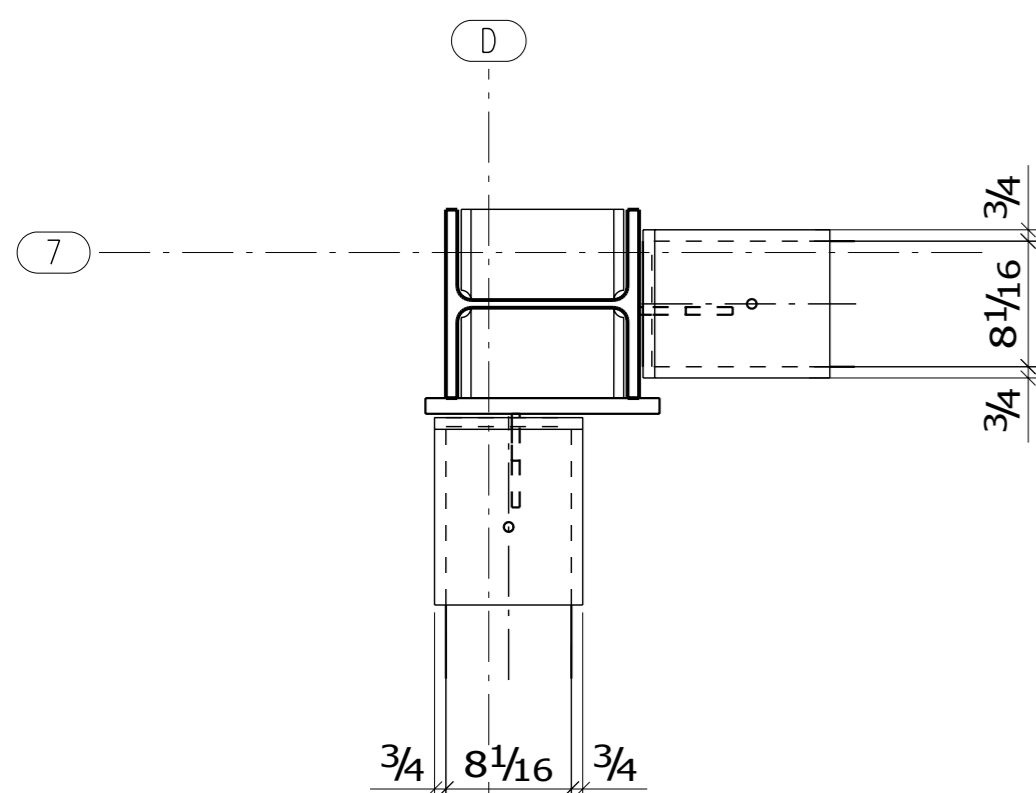


A - A

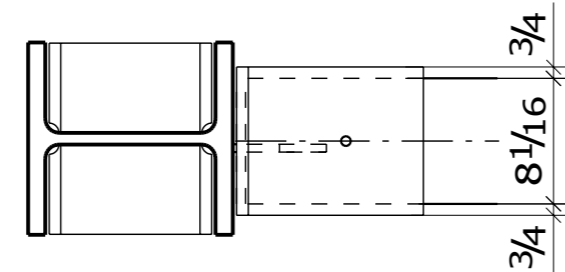


DETAIL A

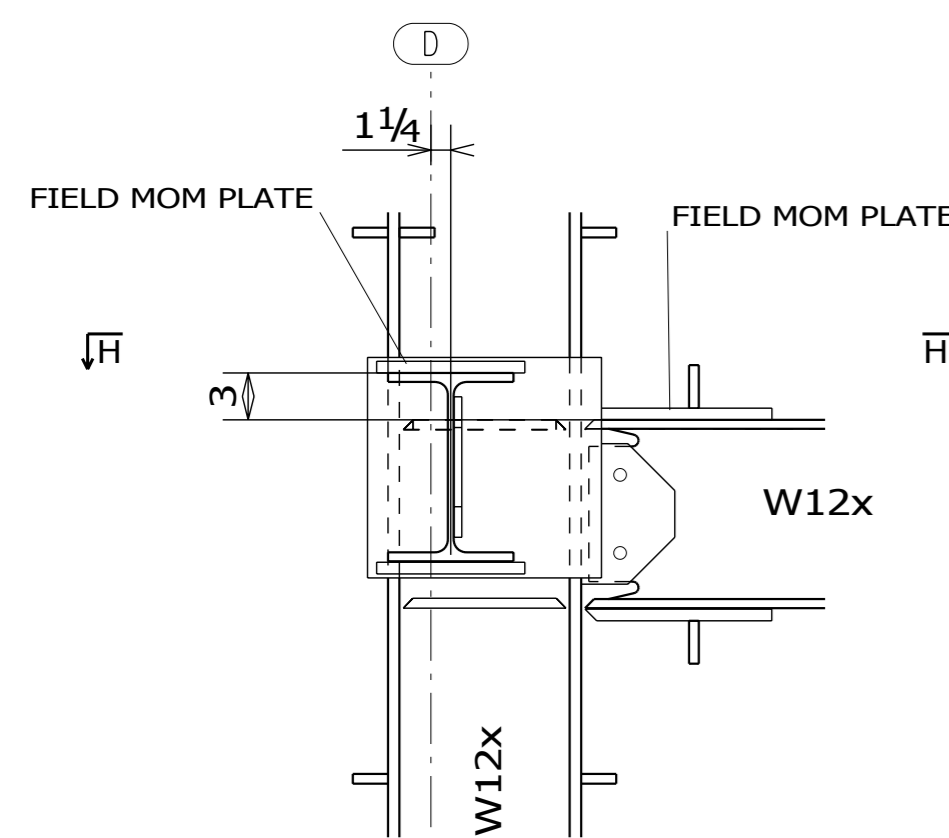
REF: 11/A21



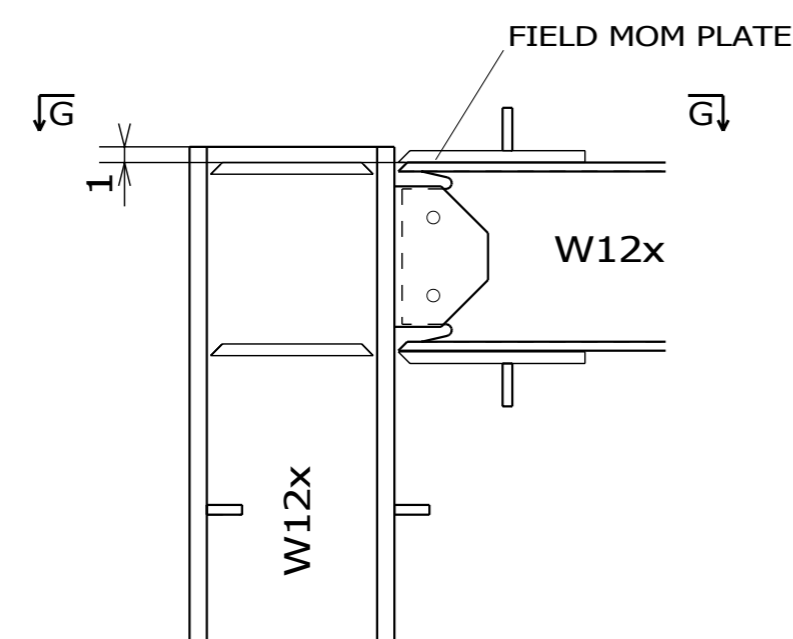
H - H



G - G

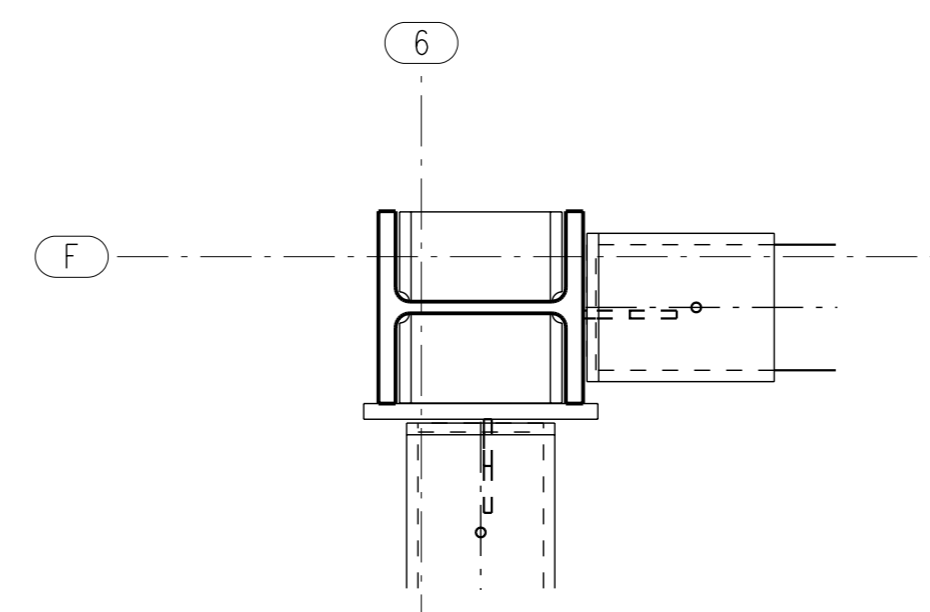


DETAIL H

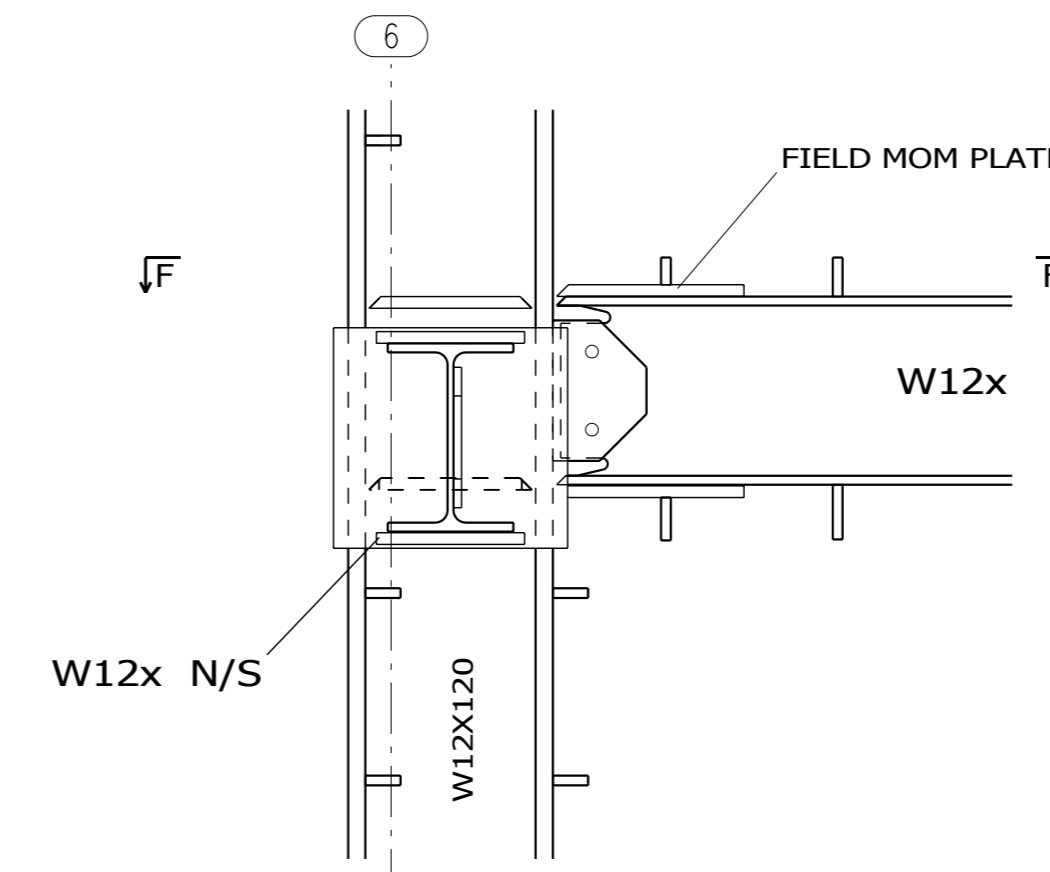


SEE DETAIL A+B FOR WELDING

DETAIL G



F - F



SEE DETAIL A+B FOR WELDING

DETAIL F

FOR APPROVAL ONLY - NOT FOR CONSTRUCTION

5-21-10	ISSUED FOR APPROVAL
4-5-10	ISSUED FOR PRELIMINARY APPROVAL & REVIEW
FABRICATORS LOGO	
STREET ADDRESS CITY, ST ZIP	
PHONE: (555) 123-4567 FAX: (555) 123-4567	
ARCHITECT Temecula, CA	ENGINEERS Temecula, CA
Theman, Inc. jack@paljack.com Phone 760 295-1860 Fax 760 269-3135 Professional Steel Detailing & Consulting	
CONTR. GC INC Palm Springs, CA	JOB NAME & LOCATION RESIDENCE Temecula, CA
REF:	JOB: LOT
DRAWN BY: TMI 04/24/2010	CHECKED BY: JP 4-3-10
SHEET TITLE MOMENT FRAMING DETAILS	SHEET: E6
MODIFIED DATE: 05/27/2010 LAST PLOT DATE: 05/27/2010 CAD FILENAME: SAMPLES	