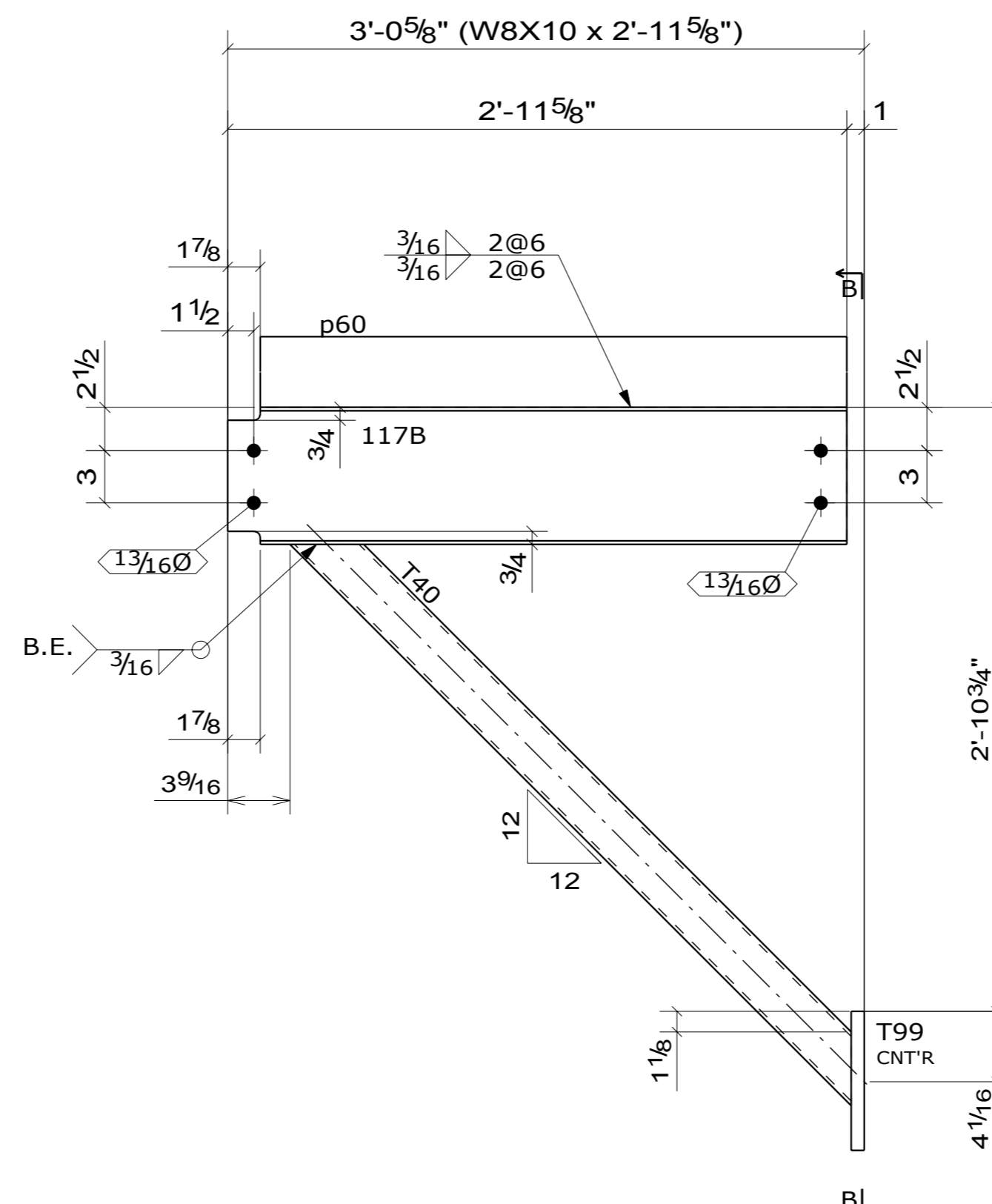
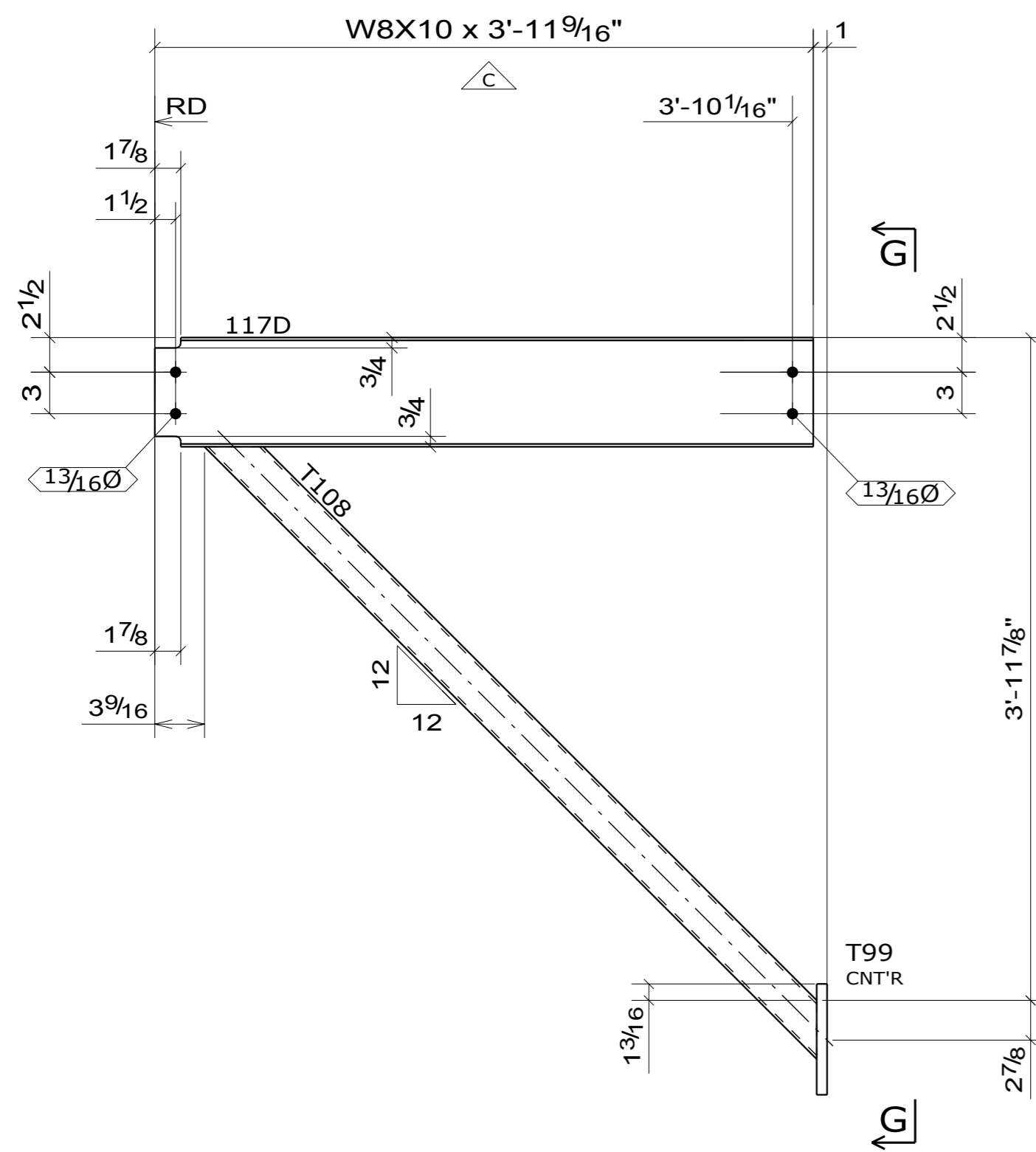


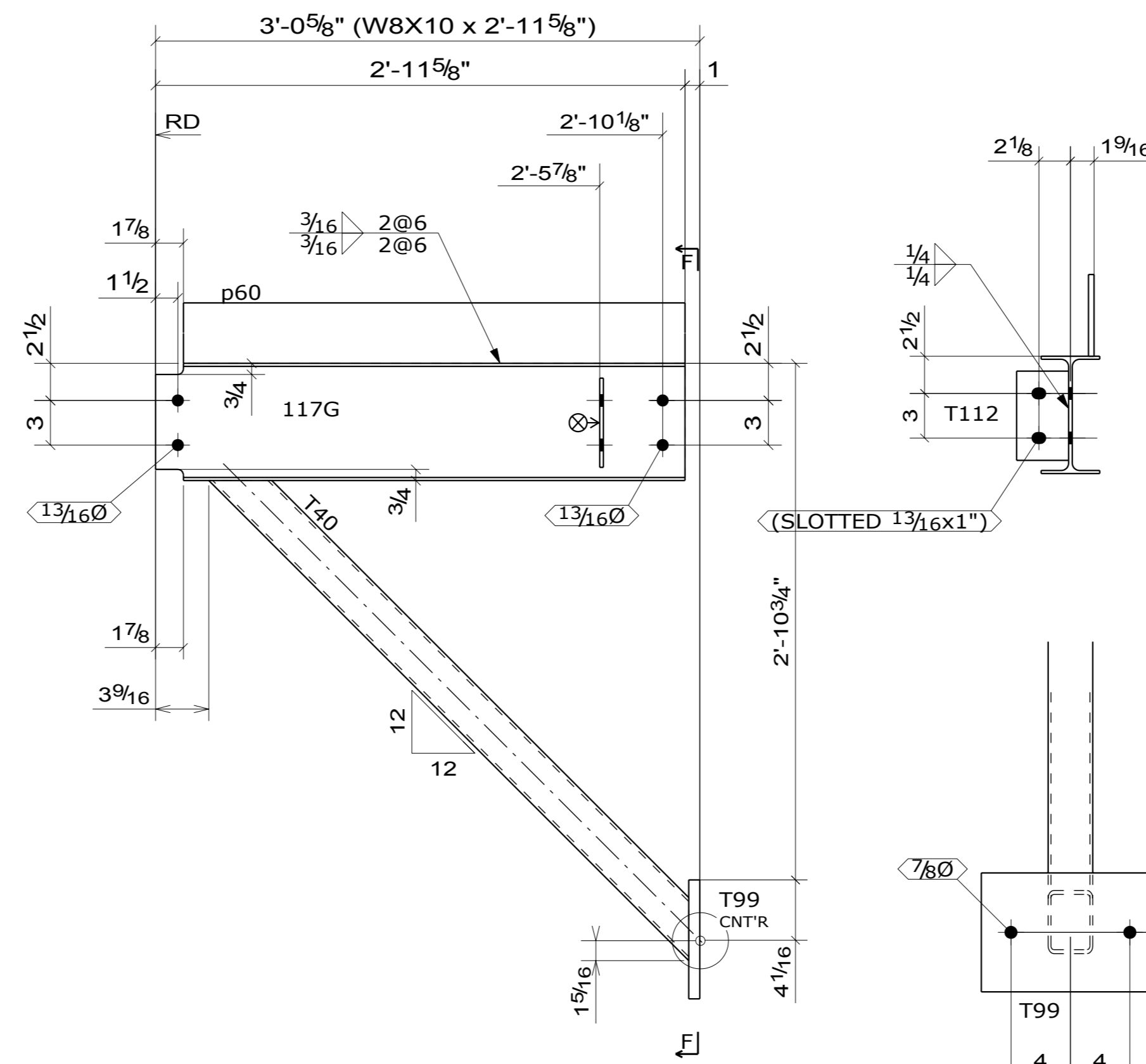
1 BEAM(s) MARK: 117A
REF: 2-S3.9
SHOP PRIME PER SPEC'S



1 BEAM(s) MARK: 117B
REF: 2-S3.9
SHOP PRIME PER SPEC'S



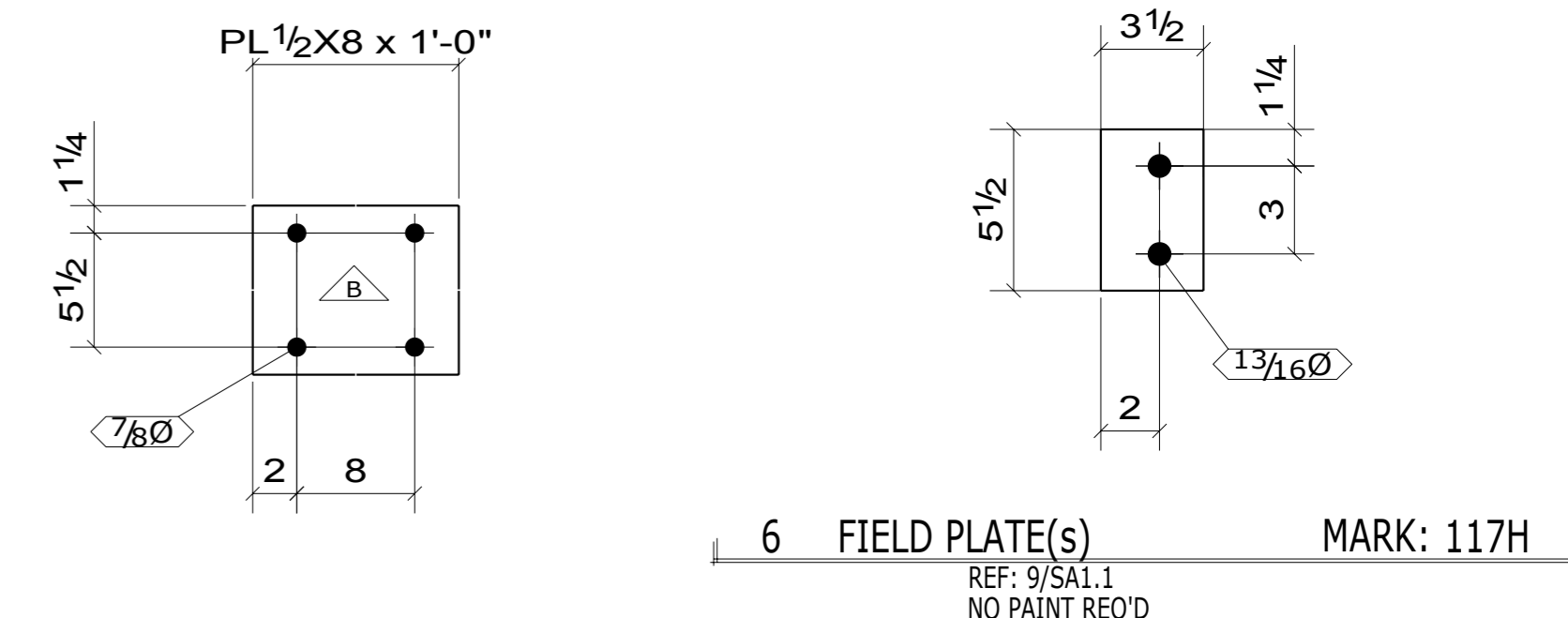
1 BEAM(s) MARK: 117D
REF: 2-S3.9
SHOP PRIME PER SPEC'S



1 BEAM(s) MARK: 117G
REF: 2-S3.9
SHOP PRIME PER SPEC'S

BILL OF MATERIAL									
ASM MARK	SHIPPING MARK	ASSY MARK	NO. REQ'D	DESCRIPTION	LENGTH	GRADE	WEIGHT	REMARKS	
			1	BEAM					
			117A	1	W8X10	3'-11 9/16"	A992	40	
			T99	1	PL3/4X8	1'-0"	A36	20	
			T108	1	HSS3X3X3/16	5'-2 9/16"	A500-GR.B	34	M2E
			T112	1	PL1/4X3 1/2	0'-6"	A36	2	
			p336	1	PL3/8X5 1/2	3'-9 11/16"	A36	27	
			117B	1	BEAM				
			117B	1	W8X10	2'-11 5/8"	A992	30	
			T40	1	HSS3X3X3/16	3'-9 11/16"	A500-GR.B	25	M2E
			T99	1	PL3/4X8	1'-0"	A36	20	
			p60	1	PL3/8X5 1/2	2'-9 3/4"	A36	20	
			117C	6	MOUNTING PLATE				
			117C	6	PL1/2X8	1'-0"	A36	82	
			117D	1	BEAM				
			117D	1	W8X10	3'-11 9/16"	A992	40	
			T99	1	PL3/4X8	1'-0"	A36	20	
			T108	1	HSS3X3X3/16	5'-2 9/16"	A500-GR.B	34	M2E
			117G	1	BEAM				
			117G	1	W8X10	2'-11 5/8"	A992	30	
			T40	1	HSS3X3X3/16	3'-9 11/16"	A500-GR.B	25	M2E
			T99	1	PL3/4X8	1'-0"	A36	20	
			T112	1	PL1/4X3 1/2	0'-6"	A36	2	
			p60	1	PL3/8X5 1/2	2'-9 3/4"	A36	20	
			117H	6	FIELD PLATE				
			117H	6	PL1/4X3 1/2	0'-5 1/2"	A36	8	
							TOTAL =	496	

BOLT SUMMARY - QTY'S ARE FOR ONE ASSEMBLY ONLY						
ASSEMBLY NO. REQ'D	DIA.	LENGTH	WORKSHOP/SITE	BOLT GRADE / SHIP WITH		REMARKS
117A	4	3/4"	Site	A325PLAINHEAVY HEX		
117A	2	3/4"	Site	HILTI HITHY150HEX		
117B	4	3/4"	Site	A325PLAINHEAVY HEX		
117B	2	3/4"	Site	HILTI HITHY150HEX		
117C	4	3/4"	Site	HILTI HITHY150HEX		
117D	4	3/4"	Site	A325PLAINHEAVY HEX		
117D	2	3/4"	Site	HILTI HITHY150HEX		
117G	4	3/4"	Site	A325PLAINHEAVY HEX		
117G	2	3/4"	Site	HILTI HITHY150HEX		



6 FIELD PLATE(s) MARK: 117H
REF: 9-SA1.1
NO PAINT REQ'D

6 MOUNTING PLATE(s) MARK: 117C
REF: 9-SA1.1
SHOP PRIME PER SPEC'S

DRAWING NOTES:
SEE DRAWINGS E115, E117, & E118 FOR PLACEMENT

2-6-07	ISSUED TO FAB - PCI-FPA
1-20-07	REVISED TO CLEAR SEISMIC RETROFIT
1-13-07	REVISED TO CLEAR OFFSET WALL GRID C
11-20-06	ISSUED FOR APPROVAL - REVISE & RESUBMIT
8-18-06	ISSUED FOR APPROVAL

MATERIAL:	HOLE SIZE:	BOLT GRADE:	MINIMUM WELD:	ELECTRODE:
A36 U.O.N.	13/16" U.O.	A325 U.O.N.	3/16" U.O.N.	E70xx

FABRICATORS LOGO

STREET ADDRESS: PHONE: (555) 123-4567
CITY, ST ZIP: FAX: (555) 123-4567

Theman, Inc.
Professional Steel Detailing & Consulting