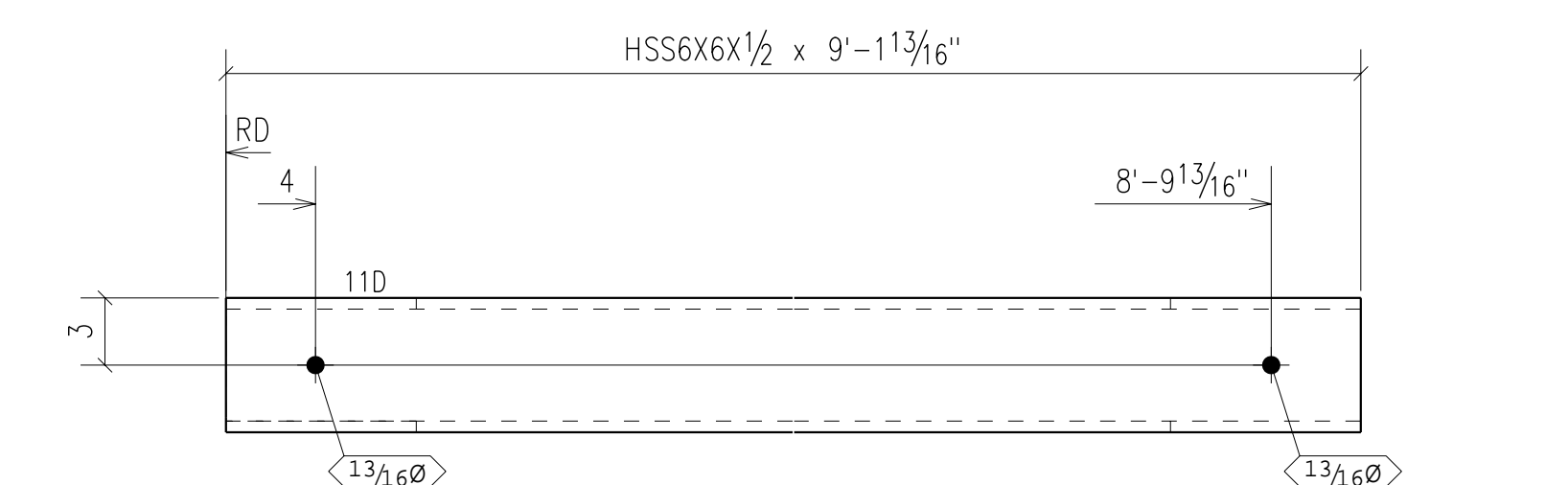
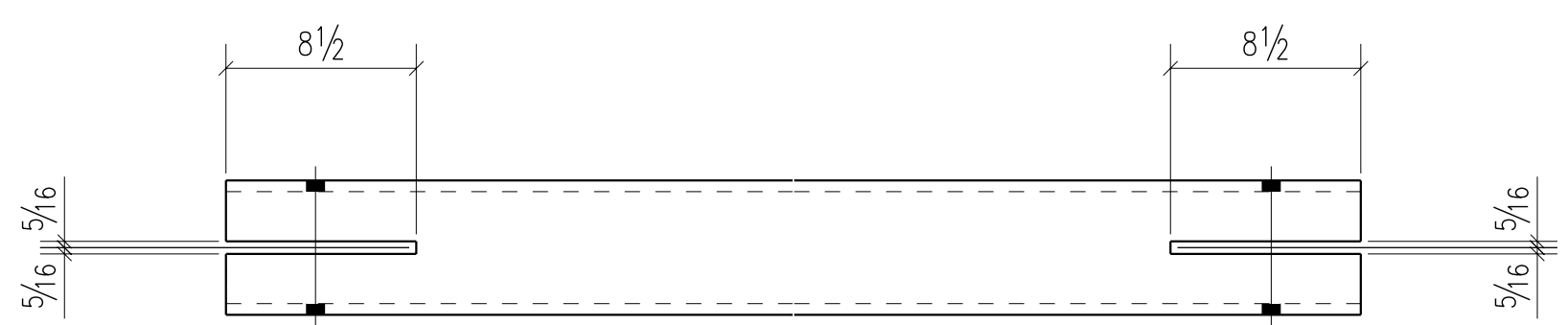
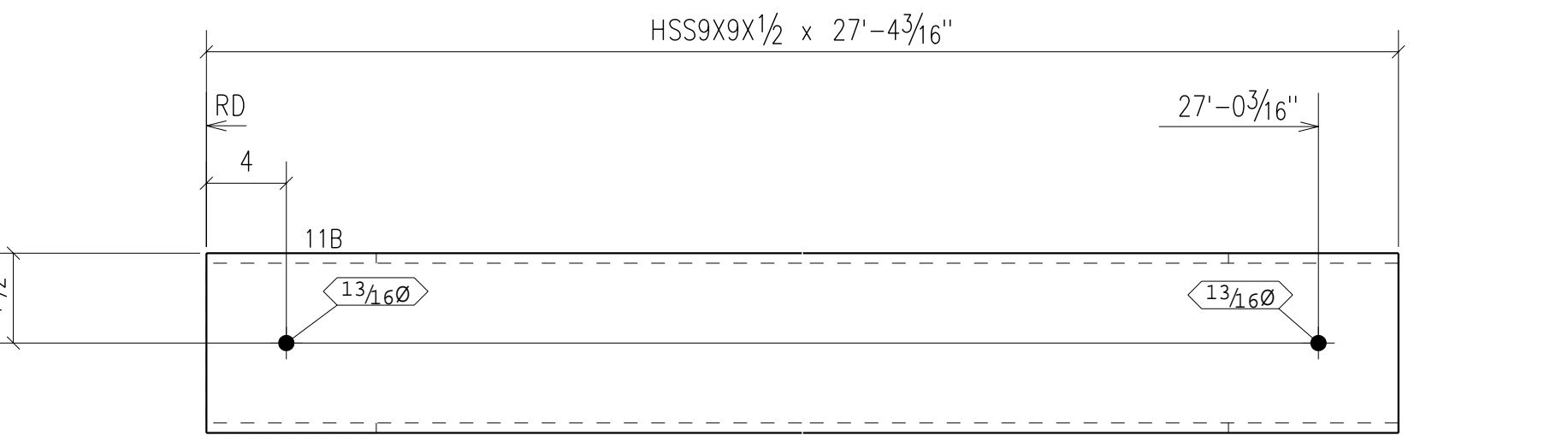
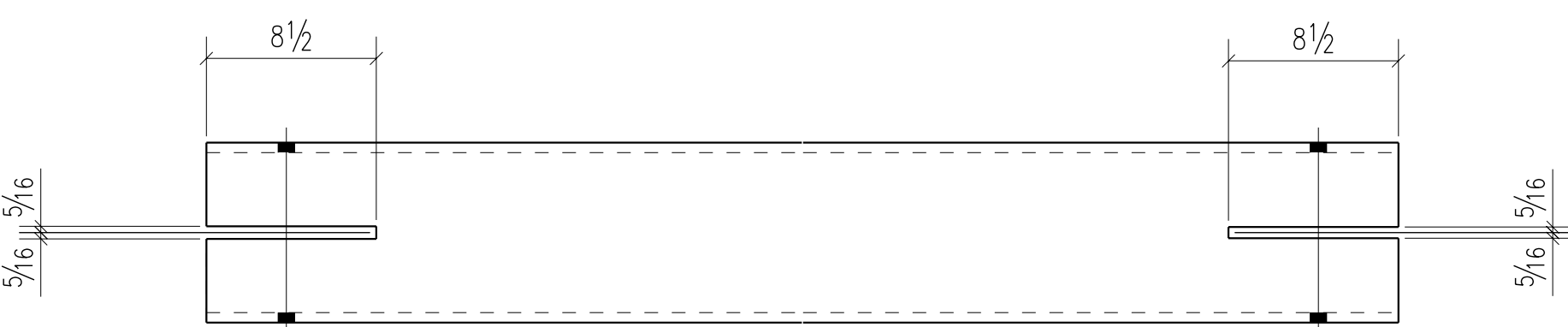


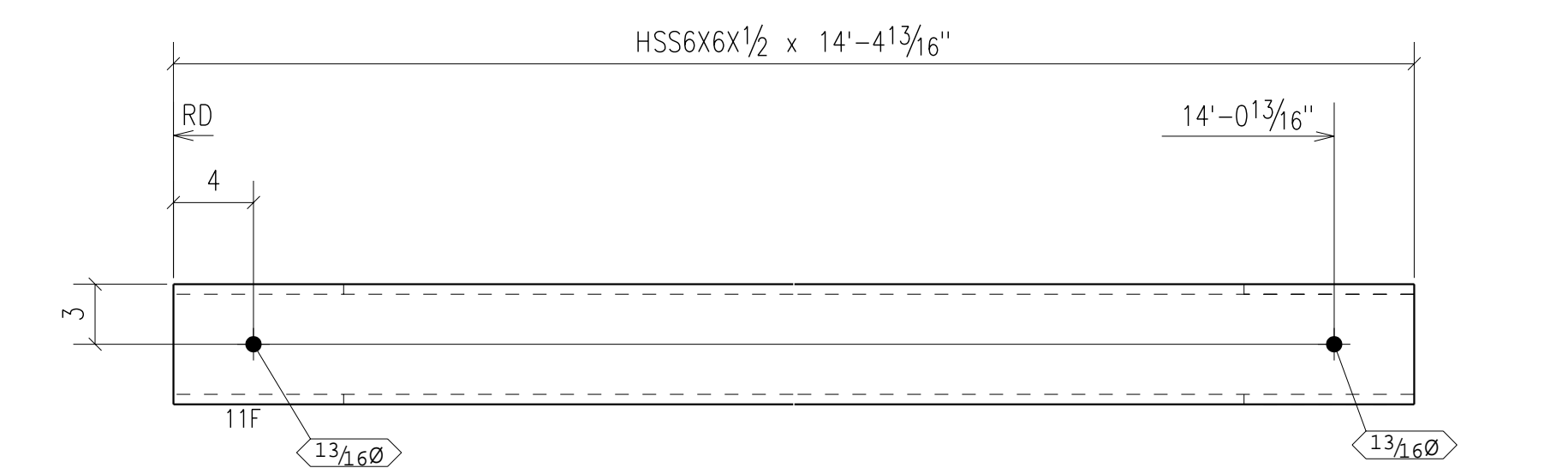
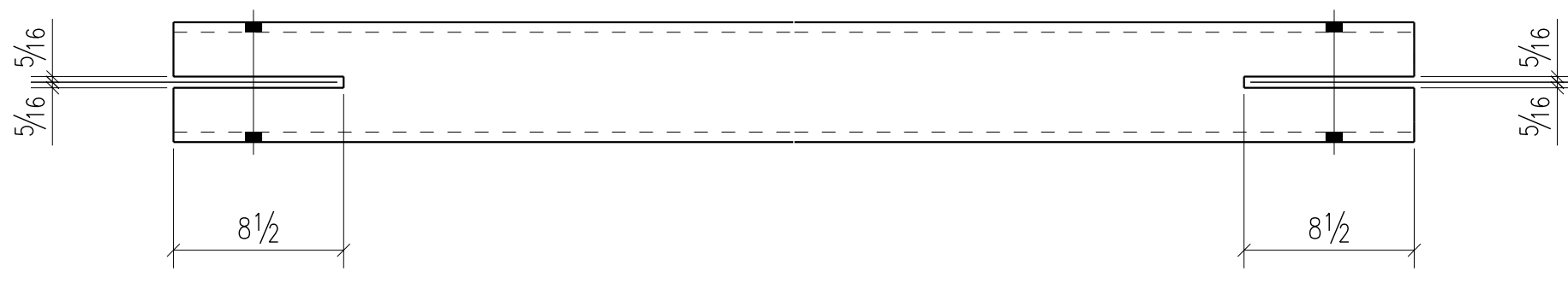
2 BRACE(S) MARK: 11A
 >>> SHOP PRIME PER SPEC'S <<<
 REF: 3+4/S3.0



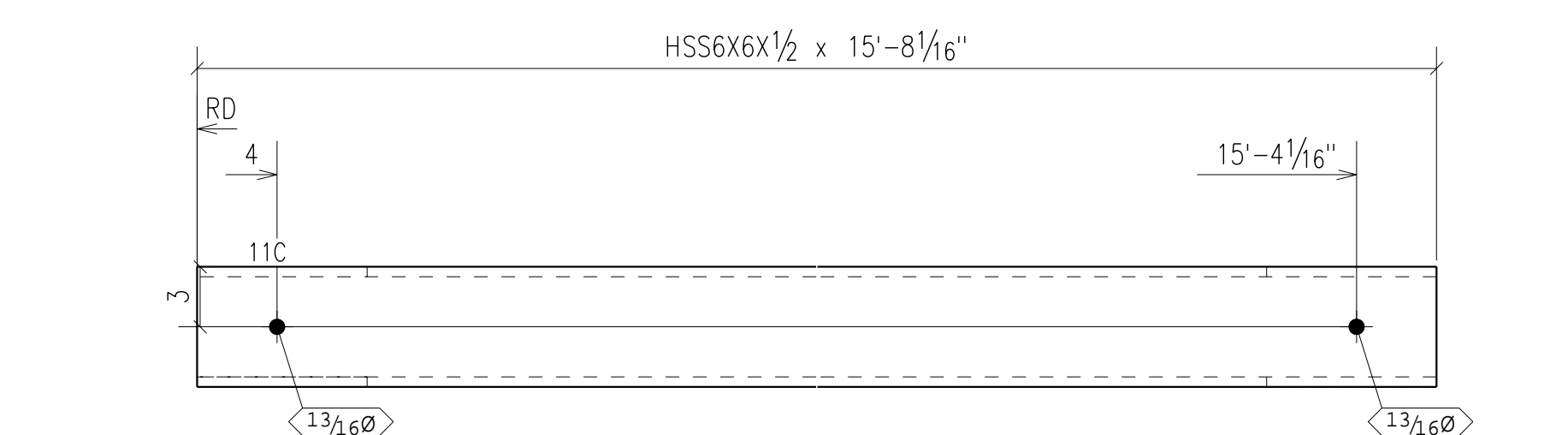
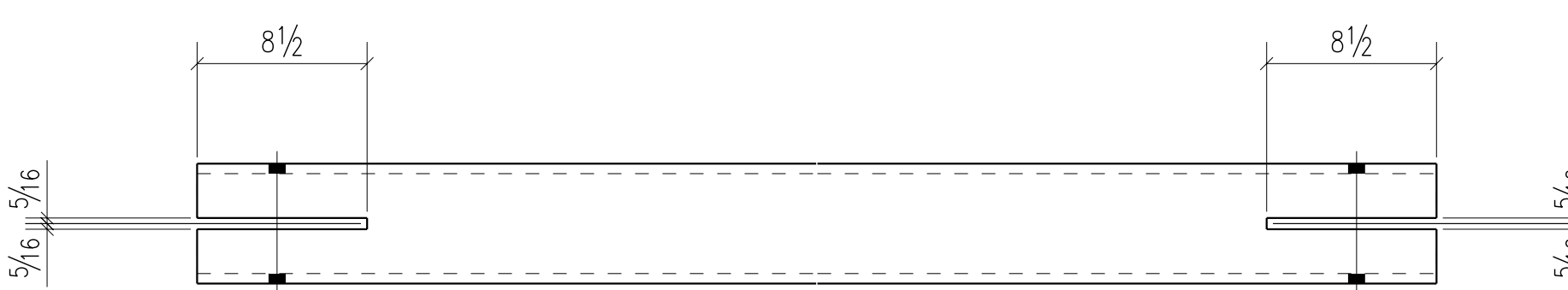
1 BRACE(S) MARK: 11D
 >>> SHOP PRIME PER SPEC'S <<<
 REF: 2/S3.0



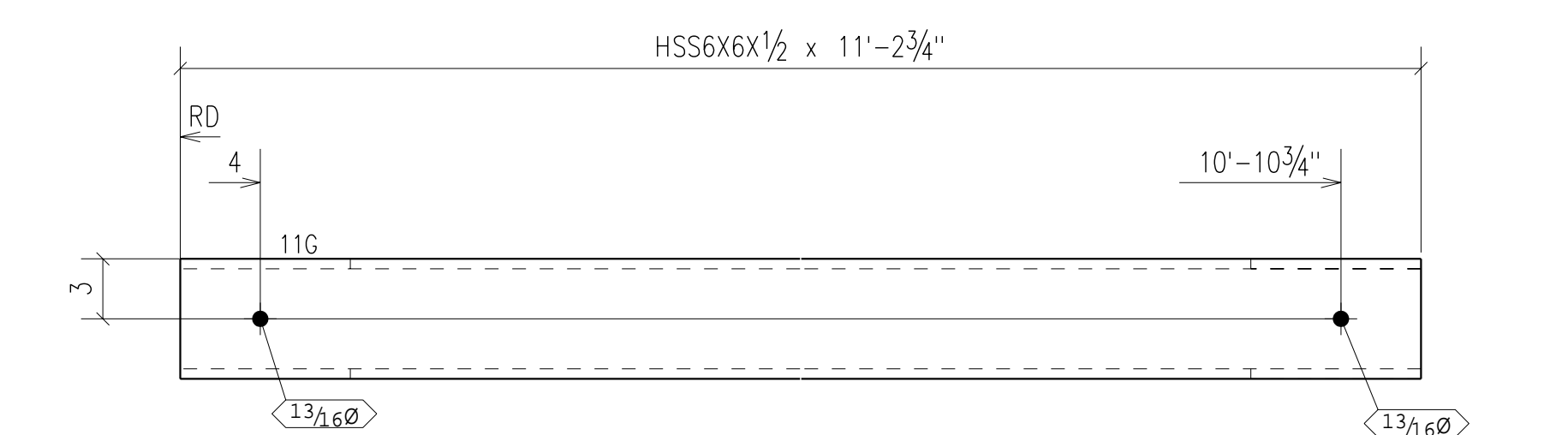
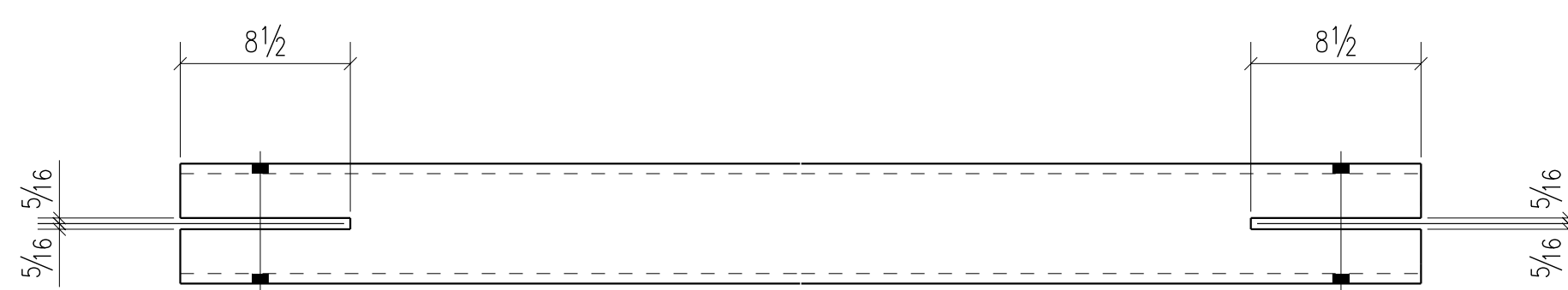
2 BRACE(S) MARK: 11B
 >>> SHOP PRIME PER SPEC'S <<<
 REF: 3+4/S3.0



1 BRACE(S) MARK: 11F
 >>> SHOP PRIME PER SPEC'S <<<
 REF: 1/S3.0



1 BRACE(S) MARK: 11C
 >>> SHOP PRIME PER SPEC'S <<<
 REF: 2/S3.0



1 BRACE(S) MARK: 11G
 >>> SHOP PRIME PER SPEC'S <<<
 REF: 1/S3.0

BILL OF MATERIAL									
ABM MARK	SHIPPING MARK	ASSY MARK	NO. REQ'D	DESCRIPTION	LENGTH	GRADE	WEIGHT	REMARKS	
	11A		2	BRACE					
		11A	2	HSS9X9X1/2	26'-1 3/16"	A500-GR.B	2718		
	11B		2	BRACE					
		11B	2	HSS9X9X1/2	27'-4 3/16"	A500-GR.B	2848		
	11C		1	BRACE					
		11C	1	HSS6X6X1/2	15'-8 1/16"	A500-GR.B	519		
	11D		1	BRACE					
		11D	1	HSS6X6X1/2	9'-1 13/16"	A500-GR.B	303		
	11F		1	BRACE					
		11F	1	HSS6X6X1/2	14'-4 13/16"	A500-GR.B	477		
	11G		1	BRACE					
		11G	1	HSS6X6X1/2	11'-2 3/4"	A500-GR.B	372		
							TOTAL =	7238	

DRAWING NOTES:
 NO PAINT WITHIN 2" OF ALL SLOTS.

1-14-08	ISSUED FOR FABRICATION			
12-14-07	ISSUED FOR APPROVAL			
MATERIAL: A36 U.O.N.	HOLE SIZE: NOTED	BOLT GRADE: A325N U.O.N.	MINIMUM WELD:	ELECTRODE: E700xx
FABRICATORS LOGO		Theiman, Inc. jack@pajack.com Phone 760 295-1860 Fax 760 269-3135 Professional Steel Detailing & Consulting		
ARCH: Associates, Inc. Los Angeles, CA	JOB NAME & LOCATION: UCSD			
ENGR: Consulting Engineers Los Angeles, CA	Stair Tower			
CONTR: Contractor Inc. San Diego, CA	UCSD CVC EXPANSION			
		La Jolla, CA		
REF:			JOB: 2510	
DRAWN BY: TMI	12/09/2007	CHECKED BY: JP	12-12-07	SHEET:
SHEET TITLE VERTICAL BRACING				11
MODIFIED DATE: 12/11/2011 LAST PLOT DATE: 01/13/2008 CAD FILENAME: SAMPLES				