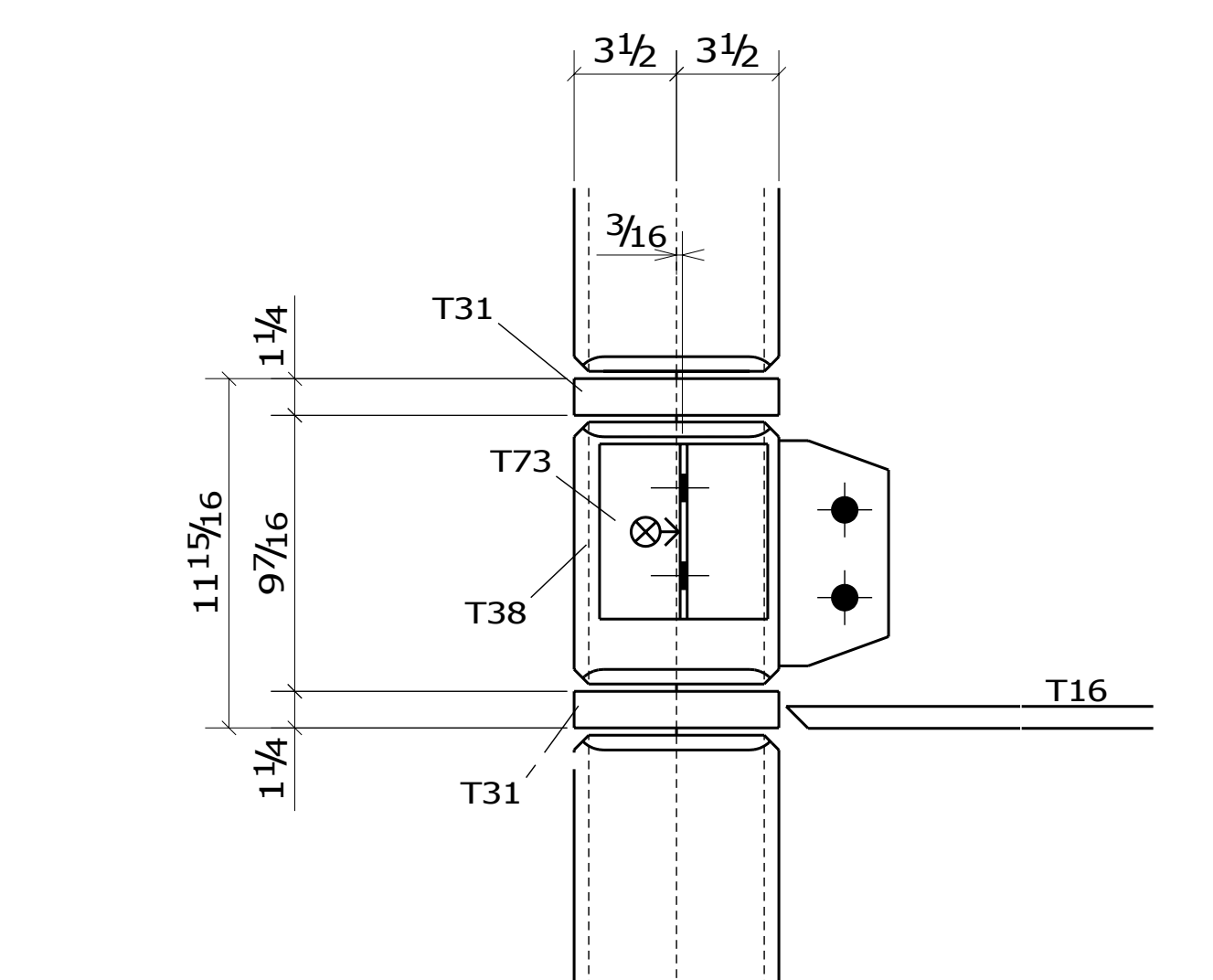
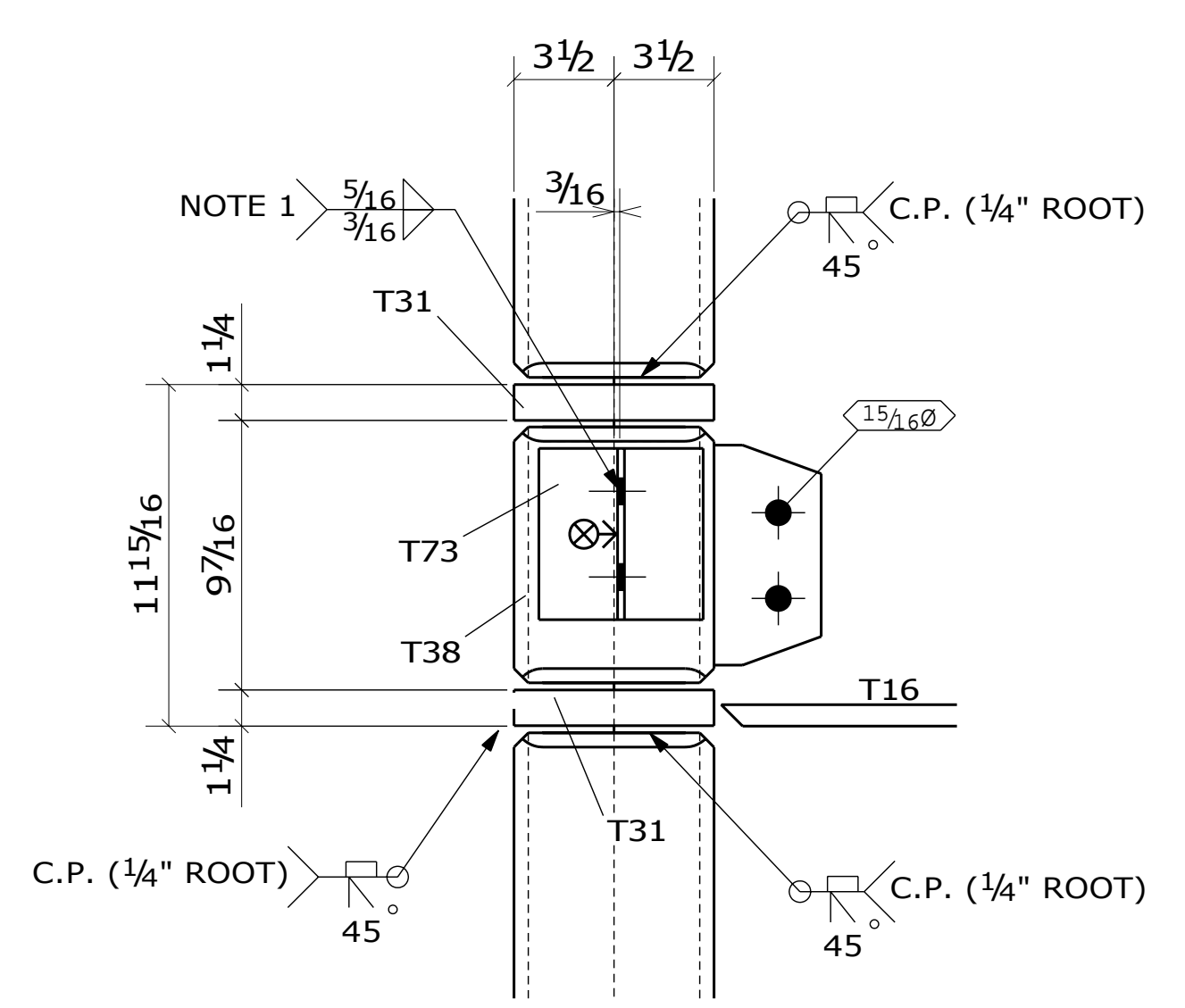


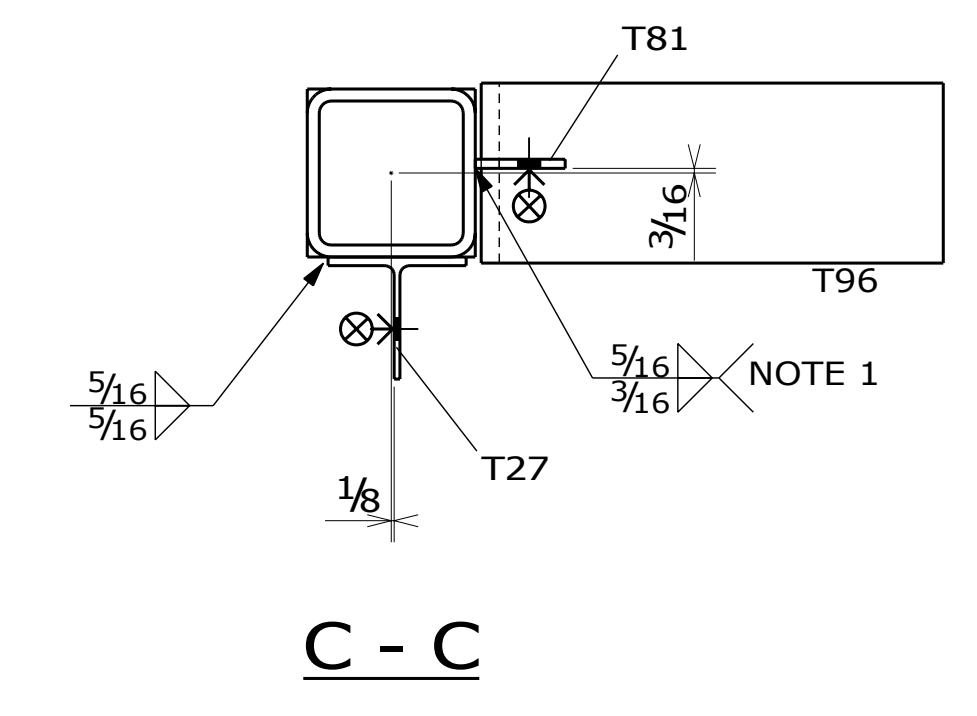
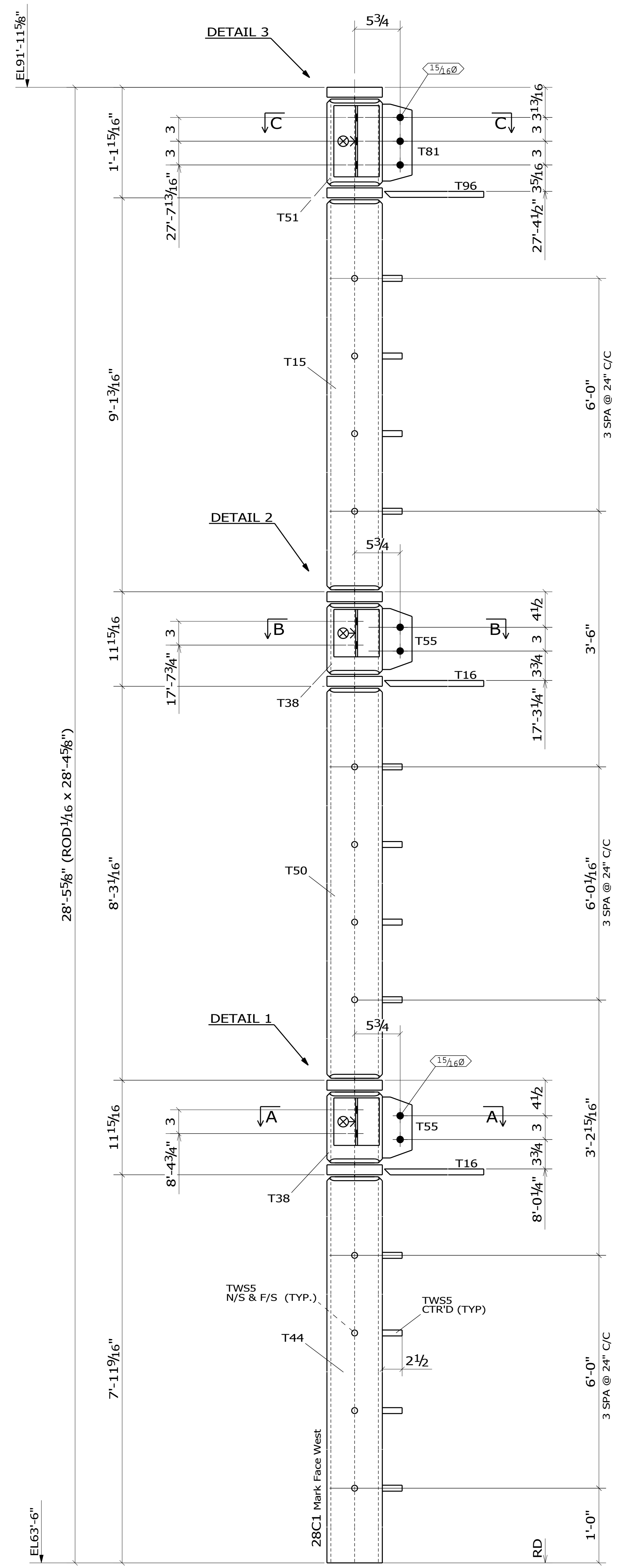
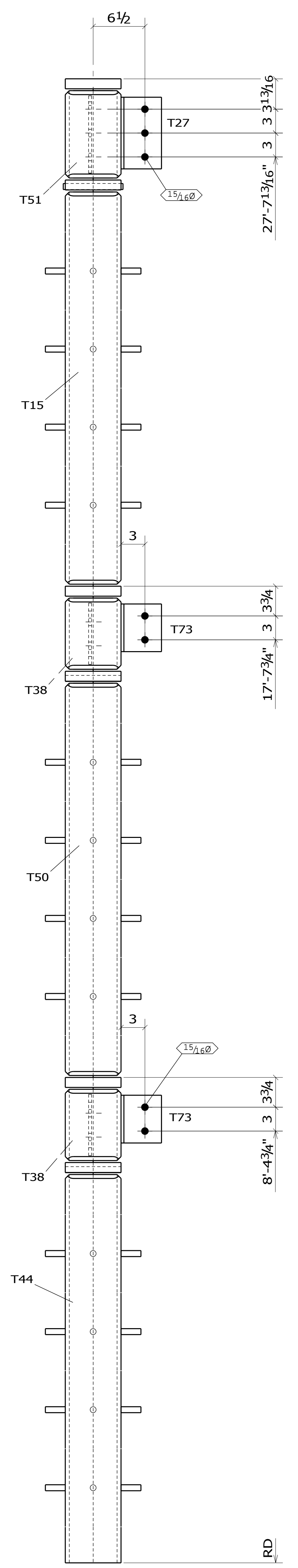
DETAIL 3



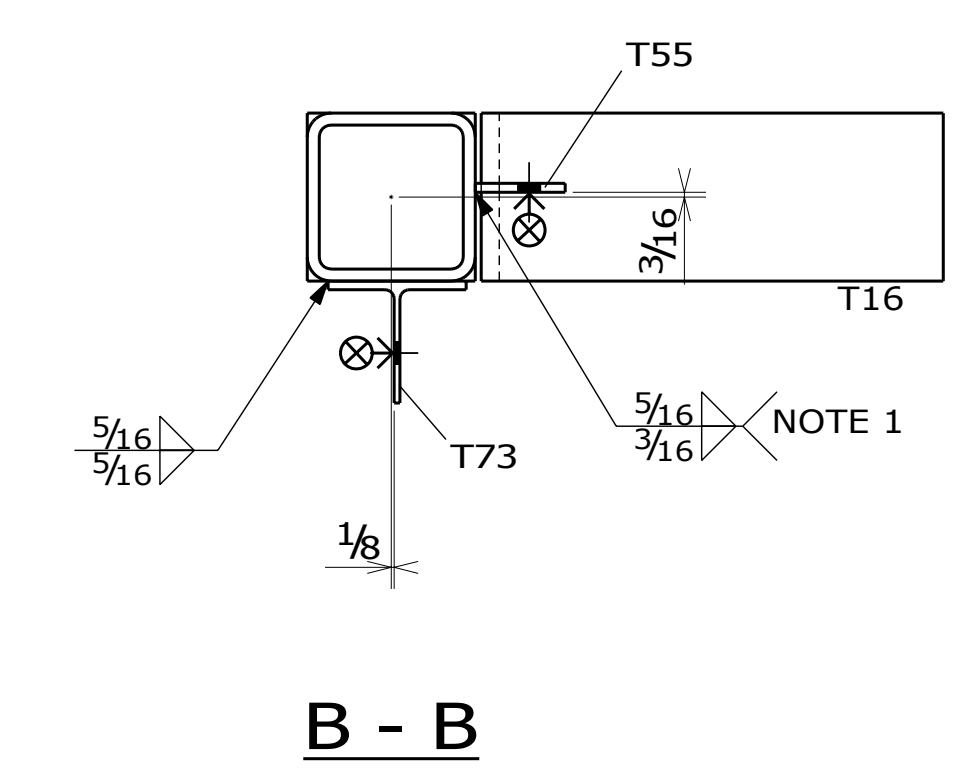
DETAIL 2



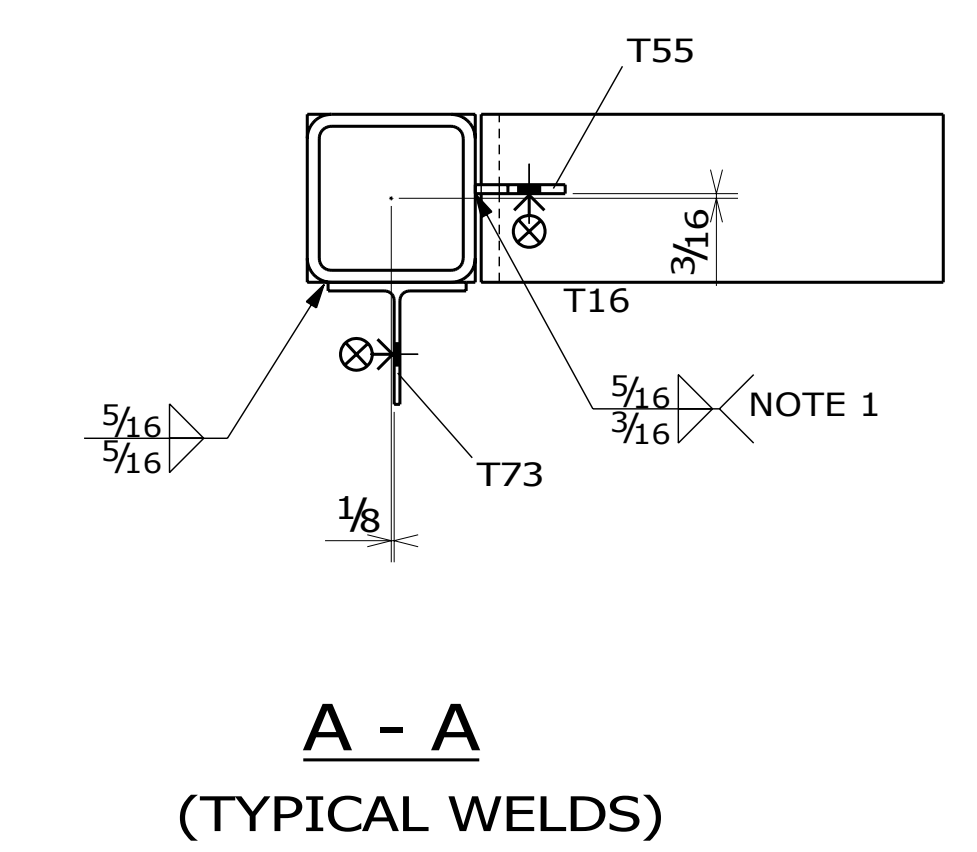
DETAIL 1
(TYPICAL WELDS)



C - C



B - B



A - A
(TYPICAL WELDS)

BILL OF MATERIAL									
MARK	SHIPPING MARK	ASSY MARK	NO REQ'D	DESCRIPTION	LENGTH	GRADE	WEIGHT	REMARKS	
28C1		1		COL (FR-4)					
		T15	1	HSS7X7X1/2	9'-0 11/16"	A500-GR.B	358	PREP	
		T16	2	PL3/4X7	1'-7 1/4"	A572-50	56	PREP	
		T27	1	WTSX11	0'-9"	A36	8		
		T31	6	PL1 1/4X7	0'-7"	A572-50	104		
		T38	2	HSS7X7X1/2	0'-8 15/16"	A500-GR.B	59	PREP	
		T44	1	HSS7X7X1/2	7'-11 5/16"	A500-GR.B	314	PREP	
		T50	1	HSS7X7X1/2	8'-2 9/16"	A500-GR.B	324	PREP	
		T51	1	HSS7X7X1/2	0'-11"	A500-GR.B	36	PREP	
		T55	2	PL3/8X3 3/4	0'-7 11/16"	A572-50	6	SHAPED	
		T73	2	WTSX11	0'-6"	A36	11		
		T81	1	PL3/8X3 3/4	0'-9 11/16"	A572-50	4	SHAPED	
		T96	1	PL3/4X7 1/2	1'-7 1/4"	A572-50	30	PREP	
		TWSS	36	3/4" Ø TWS	0'-2 1/2"	A108	11		
							TOTAL =	1320	

THIS COLUMN IS PART OF A SHOP ASSEMBLED FRAME

1 COL (FR-4)(s) MARK: 28C1
 >>> SHOP PRIME <<<
 (REF: S1.7, 11/S7.2)

DRAWING NOTES:
 NO PAINT WITHIN 2" OF OPEN ENDS OF ALL HSS SHAPES.
 NO PAINT AT COLUMN SPLICE MOMENT CONNECTIONS.
 NO PAINT ZONE AT BEAM SPLICE MOMENT PLATES.
 NO PAINT AT MOMENT CONNECTION SHEAR PLATES.

12-5-11	ISSUED FOR FABRICATION
11-14-11	ISSUED FOR APPROVAL
FABRICATORS LOGO	
STREET ADDRESS	PHONE: (555) 123-4567
CITY, ST ZIP	FAX: (555) 123-4567
The Man, Inc.	
Professional Steel Detailing & Consulting	
ARCH: Architect	DESIGNER: Laskola Condo
ENGR: Engineer	LA JOLLA, CA
CONTR: Contractor	
REF:	JOB: 1234
DRAWN BY: TMI 11/12/2011	CHECKED BY: JP 11-13-11
SHEET TITLE: MOM COLUMNS	SHEET: 28