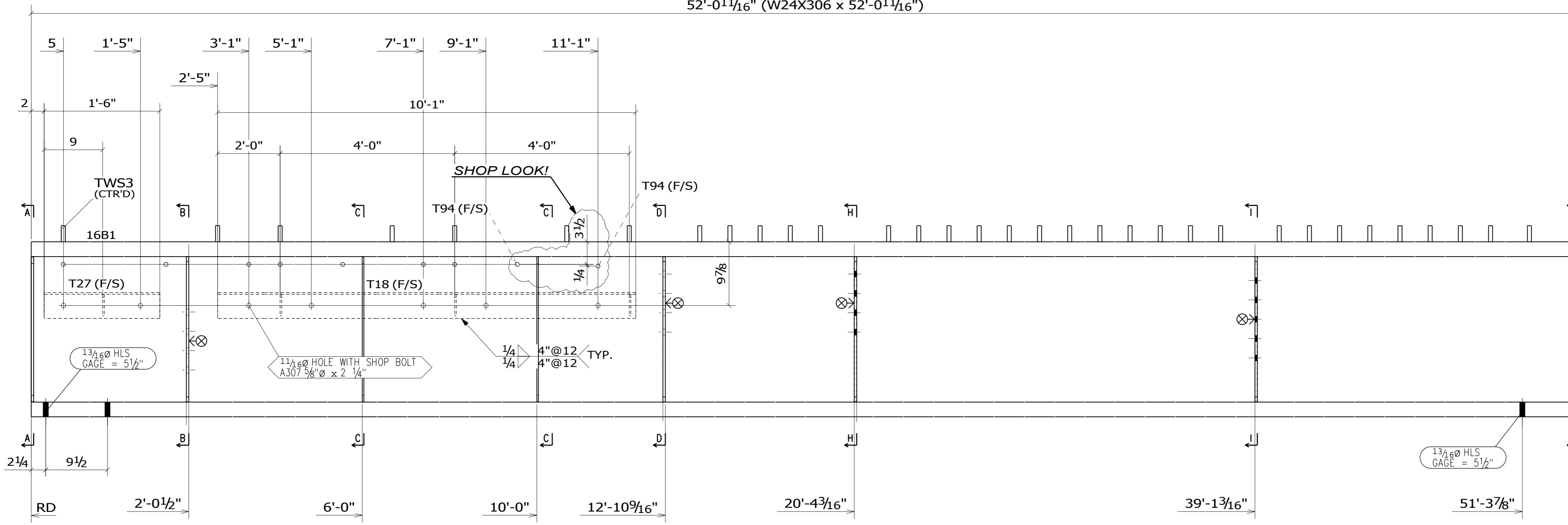
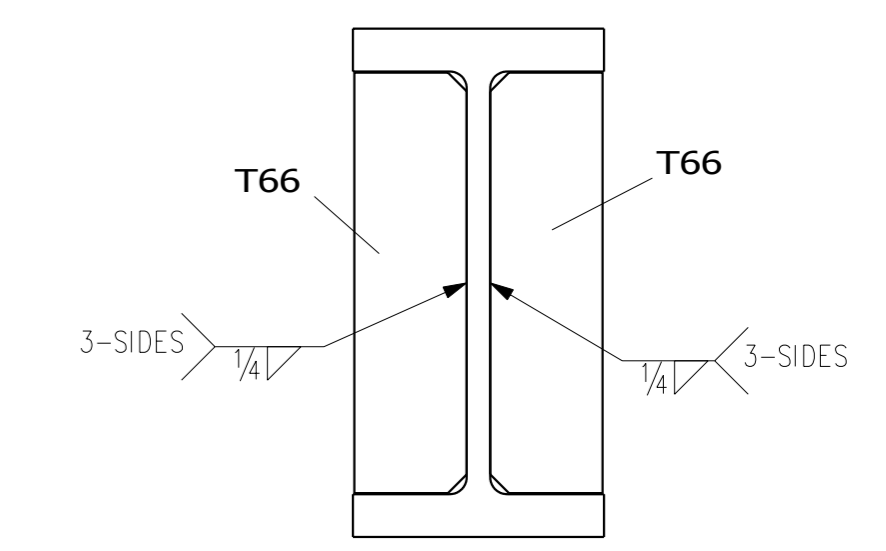


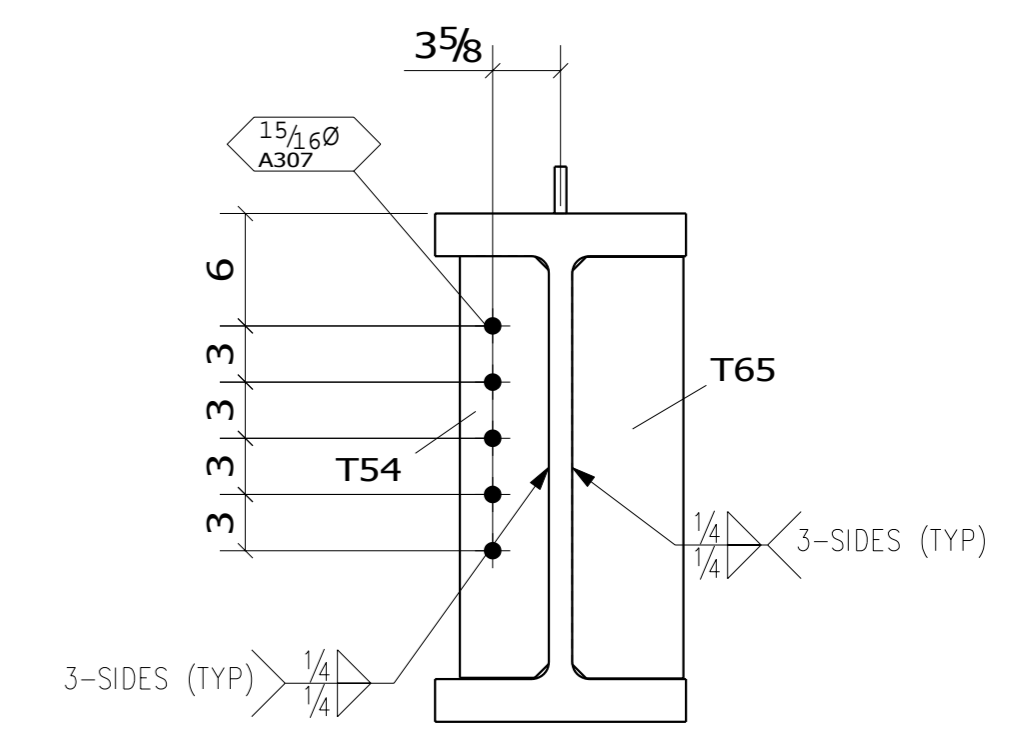
52'-0 1/16" (W24X306 x 52'-0 1/16")



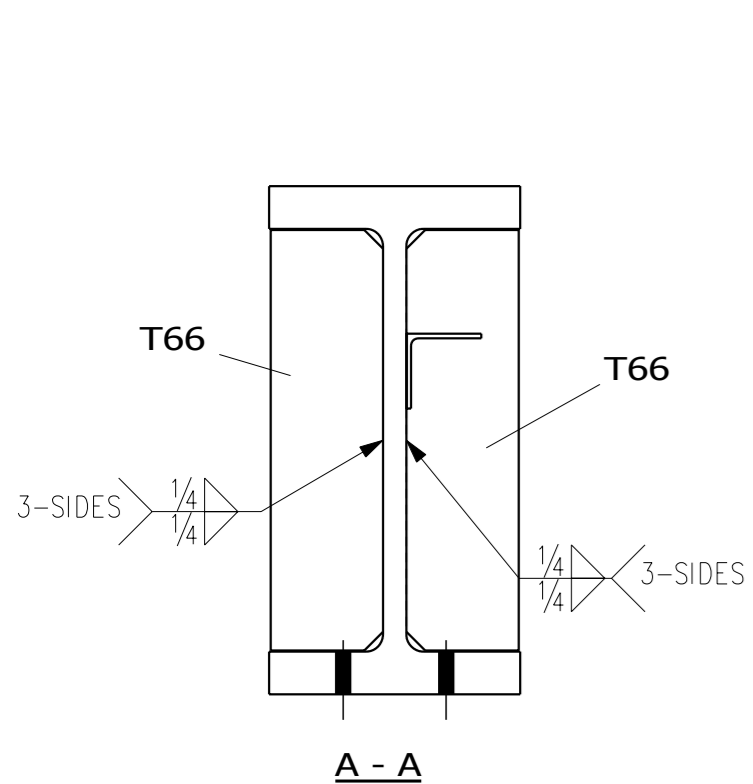
BILL OF MATERIAL									
ABM MARK	SHIPPING MARK	ASSY MARK	NO. REQ'D	DESCRIPTION	LENGTH	GRADE	WEIGHT	REMARKS	
16B1			1	FB41 (CAMB)					
			16B1	1	W24X306	52'-0 11/16"	A36	1591	C= 1"
			T18	1	L4X4X1/4	10'-1"	A36	67	SHIP LOOSE
			T27	1	L4X4X1/4	1'-6"	A36	10	
			T38	2	PL1/4X6	1'-10 7/16"	A36	19	
			T42	4	FB1/4X2	0'-4 11/16"	A36	2	B2E
			T54	1	PL3/8X4 3/4	1'-10 1/2"	A36	11	
			T56	2	PL3/8X4 3/4	1'-10 1/2"	A36	23	
			T59	1	PL3/8X4 3/4	1'-10 1/2"	A36	11	
			T65	4	PL3/8X5 15/16	1'-10 1/2"	A36	57	
			T66	4	PL3/8X6	1'-10 7/16"	A36	57	
			T94	9	#5 RE-BAR	2'-0"	A706-60	19	
			TWS3	33	5/8" THD W STUD	0'-2 1/2"	A108	7	
							TOTAL =	16191	



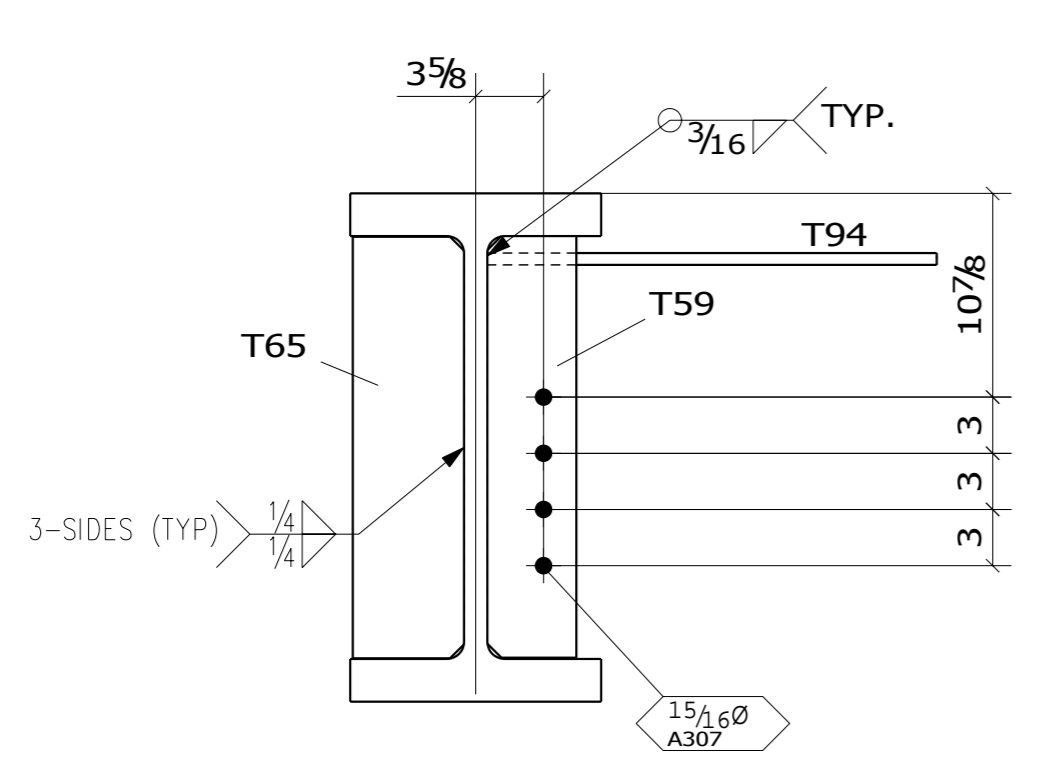
J - J



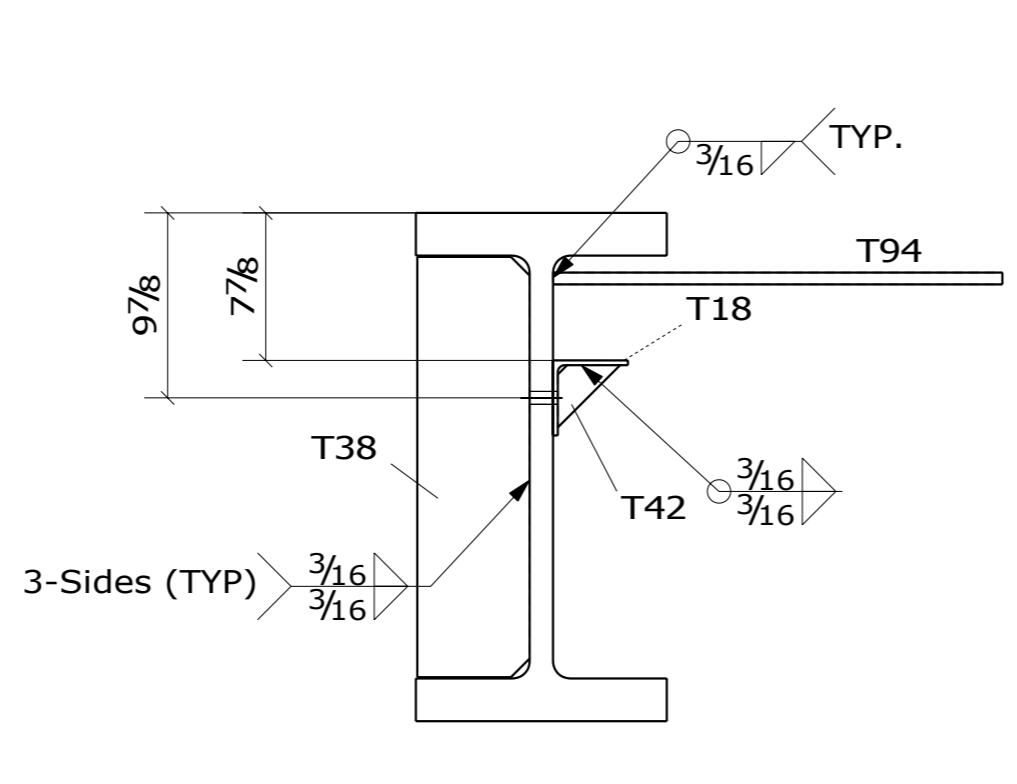
I - I



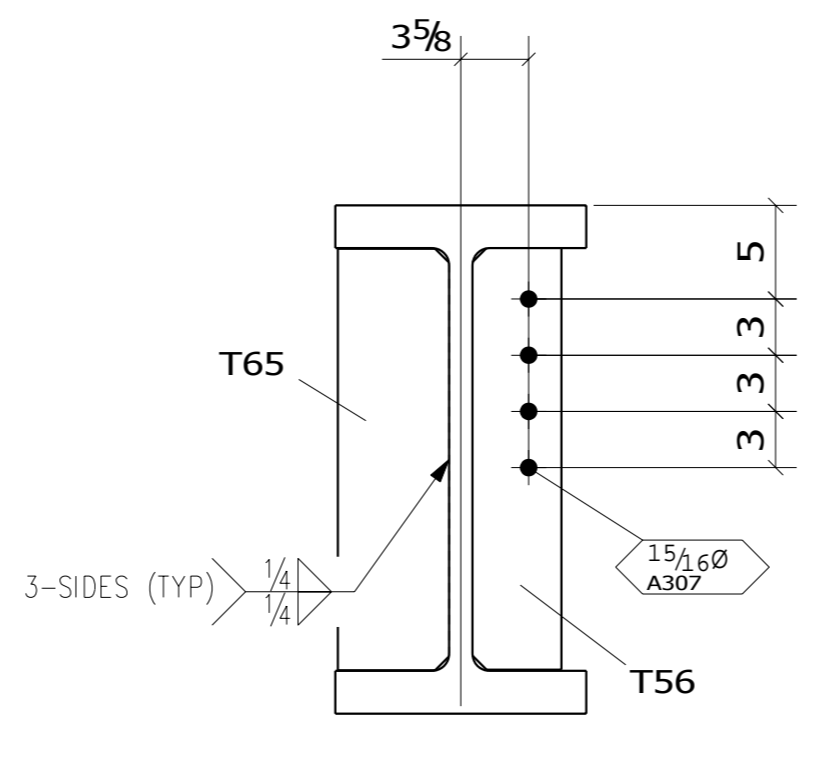
A - A



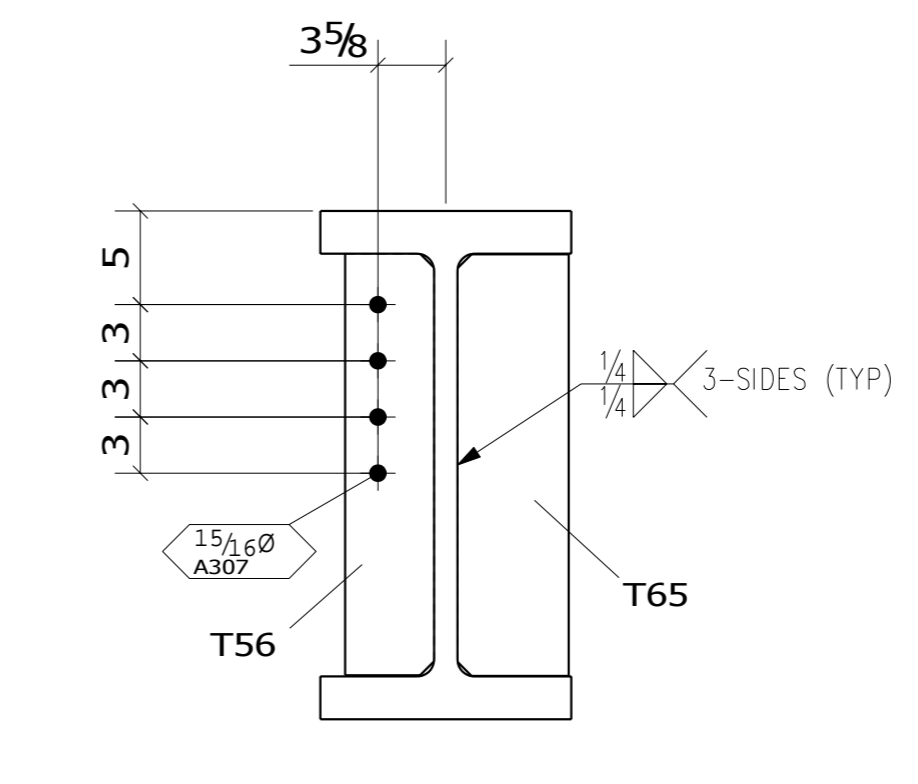
B - B



C - C



D - D



H - H

FOR APPROVAL ONLY - NOT FOR CONSTRUCTION

DRAWING NOTES:
 IMPORTANT PAINT NOTE:
 NO PAINT ZONE ON TOPSIDE OF L4 LEDGER
 NO PAINT ON RE-BAR
 NO PAINT ON BEAM WEB & U/S FLANGE FULL LENGTH OF LEDGERS +6" AT EACH END

3-10-10 ISSUED FOR APPROVAL		HOLE SIZE: 13/16" U.O.N.		WELD:		ELECTRODE:	
MATERIAL: A992 & A36		BOLT: A307 U.O.N.					
FABRICATORS LOGO				The Man, Inc.			
STREET ADDRESS		PHONE: (555) 123-4567		CITY: ST ZIP		FAX: (555) 123-4567	
ARCH: Costa Mesa, CA		ENGR: ENGINEERS		CONTR: CONSTRUCTION CORP		JOB NAME & LOCATION: HI-End Residence Irvine, CA	
REF:		DRAWN BY: TMI 03/07/2010		CHECKED BY: JP 3-9-10		JOB: ALEX	
SHEET TITLE: BEAMS		MODIFIED DATE: 12/14/2011		LAST PLOT DATE: 03/10/2010		SHEET: 16	

1 FB41 (CAMB)(s) MARK: 16B1
 >>> SHOP PRIME <<<
 REF: 19/SD2, 27/SD3, 19/SD2