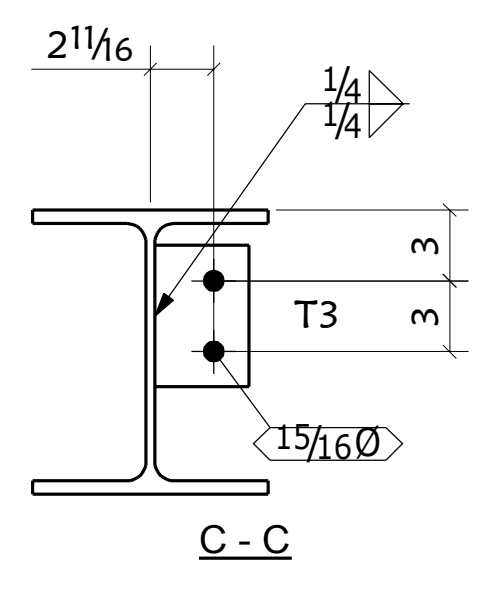
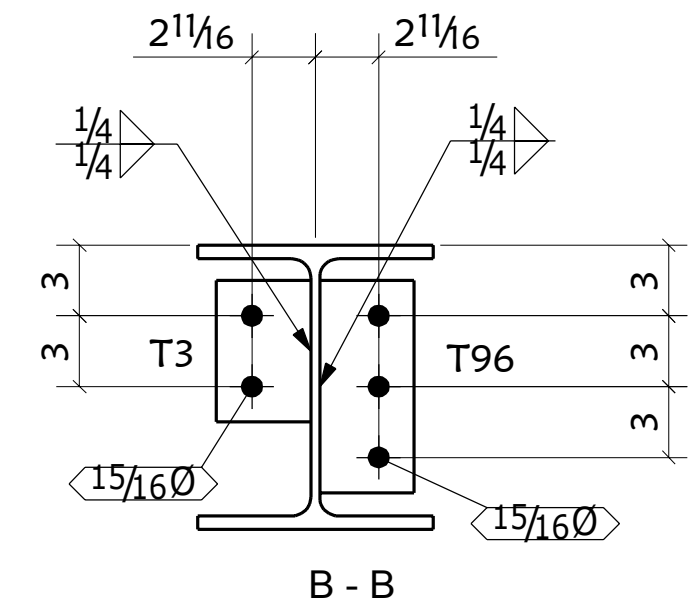
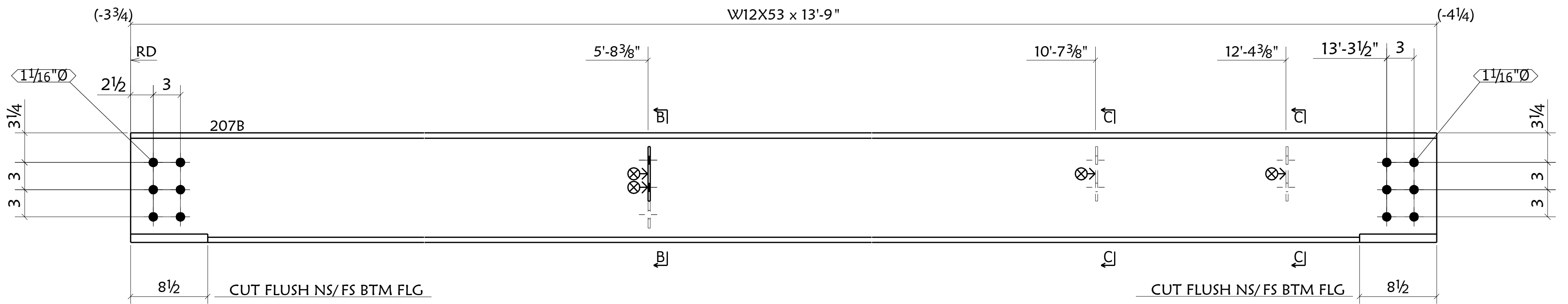
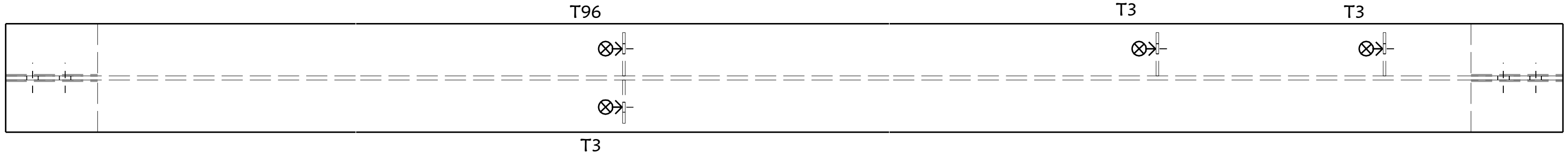


1 BEAM(s) MARK: 207A
 SHOP PRIME PER SPEC'S
 D 12 3/16" x 3/8"
 W 18 1/16" x 5/8"



1 BEAM(s) MARK: 207B
 SHOP PRIME PER SPEC'S
 D 12 1/16" x 3/8"
 W 10" x 9/16"

BILL OF MATERIAL									
ASM MARK	SHIPPING MARK	ASSY MARK	NO. REQ'D	DESCRIPTION	LENGTH	GRADE	WEIGHT	REMARKS	
207A		1	1	BEAM					
	207A	1	1	W12X50	23'-3 1/2"	A992	1165		
	T3	2	2	PL1/4X4	0'-6"	A36	3		
	T82	2	2	PL1 X15 5/16	1'-9 3/16"	A572-50	175		
	T96	2	2	PL1/4X4	0'-9"	A36	5		
207B		1	1	BEAM					
	207B	1	1	W12X53	13'-9"	A992	730		
	T3	3	3	PL1/4X4	0'-6"	A36	5		
	T96	1	1	PL1/4X4	0'-9"	A36	3		
							TOTAL =	2086	

BOLT SUMMARY - QTY'S ARE FOR ONE ASSEMBLY ONLY

ASSEMBLY NO.	REQ'D	DIA.	LENGTH	WORKSHOP/SITE	BOLT GRADE / SHIP WITH	REMARKS
207A	12	1"	2 3/4"	Site	A490TCPLAINHEAVY HEX	
207B	12	1"	2 3/4"	Site	A490TCPLAINHEAVY HEX	

DRAWING NOTES:
 MARK LEFT END N/S FACE OF MEMBER AS DETAILED.
 NO PAINT WITHIN 3" OF ALL 1-1/16" Ø HOLES.
 NO PAINT ON BRACE PLATES

2-7-05		ISSUED FOR APPROVAL & FABRICATION	
MATERIAL: A992 U.O.N.	SOLE SIZE: 15/16 U.O.N.	BOLT GRADE: A325 U.O.N.	MINIMUM WELD: 1/4"
FABRICATORS LOGO STREET ADDRESS: _____ CITY: ST ZIP		PHONE: (555) 123-4567 FAX: (555) 123-4567	
		Theiman, Inc. jack@paljack.com Phone 760 295-1860 Fax 760 269-3135 Professional Steel Detailing & Consulting	
ARCH: Certified Facilities Corp.	JOB NAME & LOCATION: Marina Del Ray		
ENGR: KPFF			
CONTR: Lusardi Construction Company			
REF:	DRAWN BY: 02/04/2005		CHECKED BY:
SHEET TITLE: BEAMS	MODIFIED DATE: 02/05/2005		LAST PLOT DATE: 02/06/2005
	JOB: 428		SHEET: 207